



www.trust-seats.com

Past, Present and Future

TRUST for Engineering Industries was established in 1996, on Egyptian grounds, as family run business which manufactures seating systems; and specializes in automotive seats.

As TRUST grew, the transition to become the corporate organization it is today was facilitated by each member of the TRUST family.

At TRUST, we believe that every employee is a family member and asset that must be invested in and cared for.

TRUST has witnessed several expansions through the years and continues to broaden its scope of offerings.

The company was founded on an area of 6,000 m² in El-Khanka Industrial Zone. Today, TRUST covers an area of 20,000 m² and utilizes state of the art technologies and calibers that act as the backbone of the entire business.

The company has also acquired ISO 9001/2000 and ISO/ITS 16949 , ISO 14001, ISO 18001 certifications that further endorse its stature and trustworthiness towards its clients, partners and suppliers.

TRUST turn over has increased by a factor of 5 during the last 5 years; manufacturing and delivering 200,000 seating units in 2013 and 3,000,000 units in 2018. TRUST currently acquires the greatest market share in vehicle seats in Egypt, which is 30 %, and thrives to reach 40 % by 2020.

At Trust, we believe that we have acquired the experience, know-how and founded the infrastructure to expand into and conquer cross-border markets.





Vision

At TRUST for Engineering Industries, we aspire to be the ultimate destination for seating systems, and to be the name of choice across the entire world where seating systems are concerned.

Mission

TRUST for Engineering Industries strives to maintain its high-quality standards and stakeholder satisfaction while increasing its productivity.

Accreditations

TRUST for Engineering Industries is certified with ISO 2000/9001, ISO/TS 16949, ISO 14001/2015, OHSAS 18001/2007. These accreditations are used as the quality level standards used to manufacture our seats. Quality standards along with a highly qualified management team and employees, ensure that our clients are ecstatic with the delivered seats.

With these accreditations, we ensure the consistent high quality of our products and our entire management system, making sure we give our clients the assurance they need to trust that their seating systems are everything they aspire for while we carefully abide to all human factors ethics.

By acquiring these accreditations, we ensure that our products and services meet the requirements of our clients, and we simultaneously ensure consistency in all our day-to-day operations, taking into consideration that our team is our most precious asset. Our ISO certifications have helped us improve our whole system, including operating procedures, increasing our efficiency and reducing our costs, which always works to the benefit of our clients.





Our Clients

Our quality assurance procedures and wide range of seating solutions allow us to meet the varying needs of our clients to the fullest.

Additionally, our after-sales services ensure that the products we deliver function at their optimum capacities and abilities, giving our clients the most out of their purchase.

Our Clients include:



Hyundai



Suzuki



Geely



Speranza



MCV



Hashim Bus

ISUZU

Isuzu



Mitsubishi



Foton



GBpolo



Zimax



BlueBus



Kader



KhalafBus

Envy



Geely



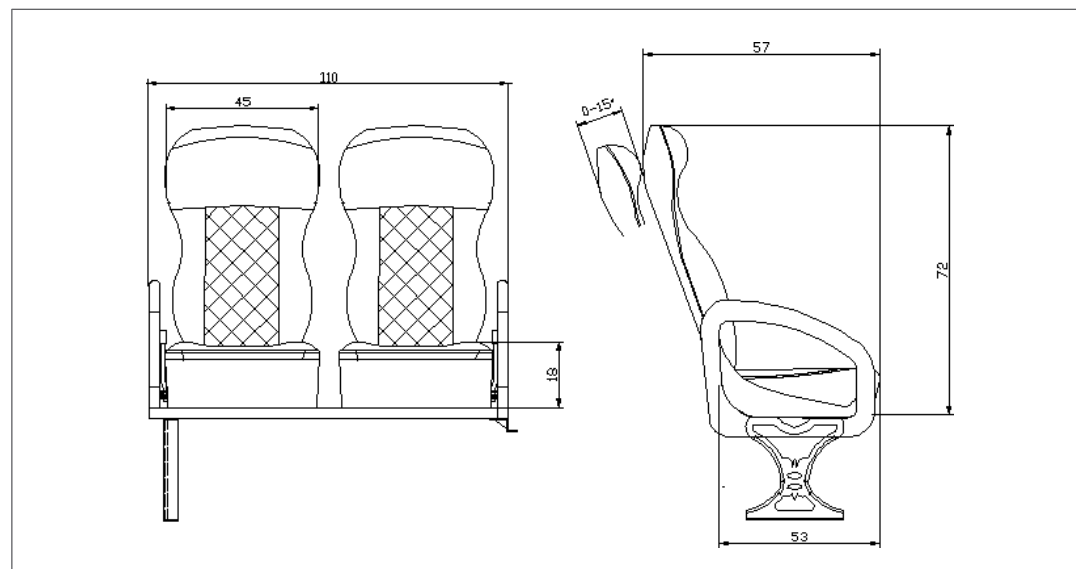
Verna

Smart Seat

NEW
PRODUCT



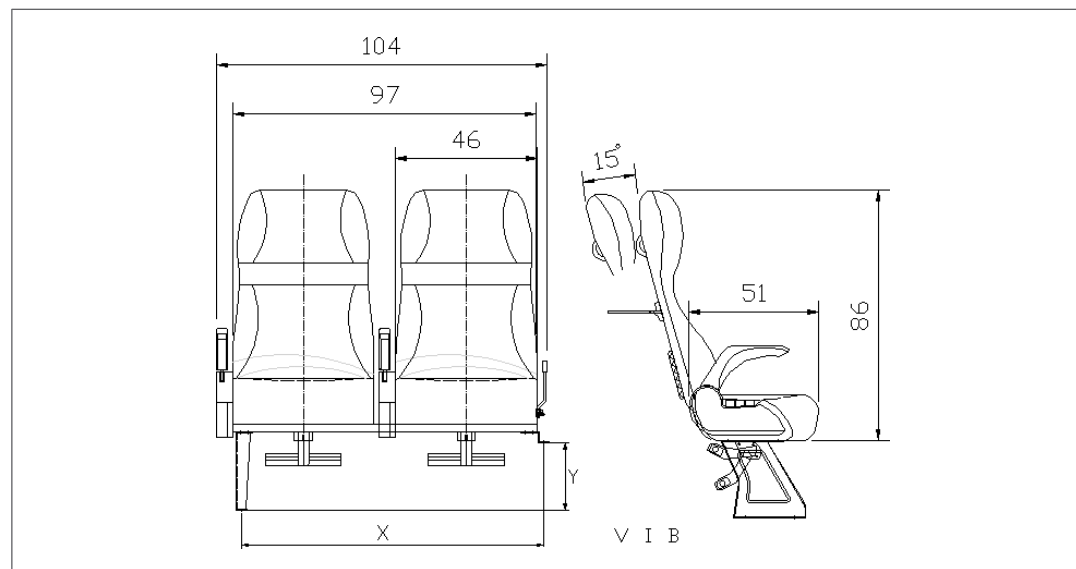
Feature	Avaiabilty	Feature	Avaiabilty
Fixed Back		Three-Points Safety Belt	<input type="checkbox"/>
Reclining Back	<input type="checkbox"/>	Handle	<input type="checkbox"/>
Side Movement	<input type="checkbox"/>	Table	<input type="checkbox"/>
Slide Movement		Newspaper Net	<input type="checkbox"/>
ArmRest	<input type="checkbox"/>	Ashtray	<input type="checkbox"/>
Two-Points Safety Belt	<input type="checkbox"/>	FootRest	<input type="checkbox"/>
Massage Unit	<input type="checkbox"/>	HeadRest	
Automatic Control	<input type="checkbox"/>	USB	<input type="checkbox"/>



VIP 5010



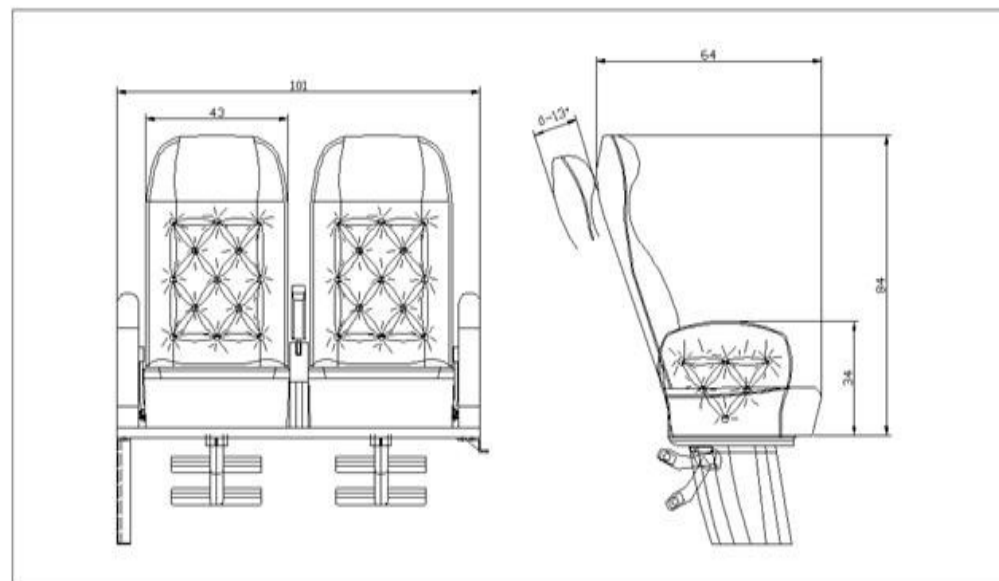
Feature	Availability	Feature	Availability
Fixed Back		Three-Points Safety Belt	<input type="checkbox"/>
Reclining Back	<input type="checkbox"/>	Handle	<input type="checkbox"/>
Side Movement		Table	<input type="checkbox"/>
Slide Movement		Newspaper Net	<input type="checkbox"/>
ArmRest	<input type="checkbox"/>	Ashtray	<input type="checkbox"/>
Two-Points Safety Belt	<input type="checkbox"/>	FootRest	<input type="checkbox"/>
Massage Unit		HeadRest	
Automatic Move		USB	



VIP 5020 Double



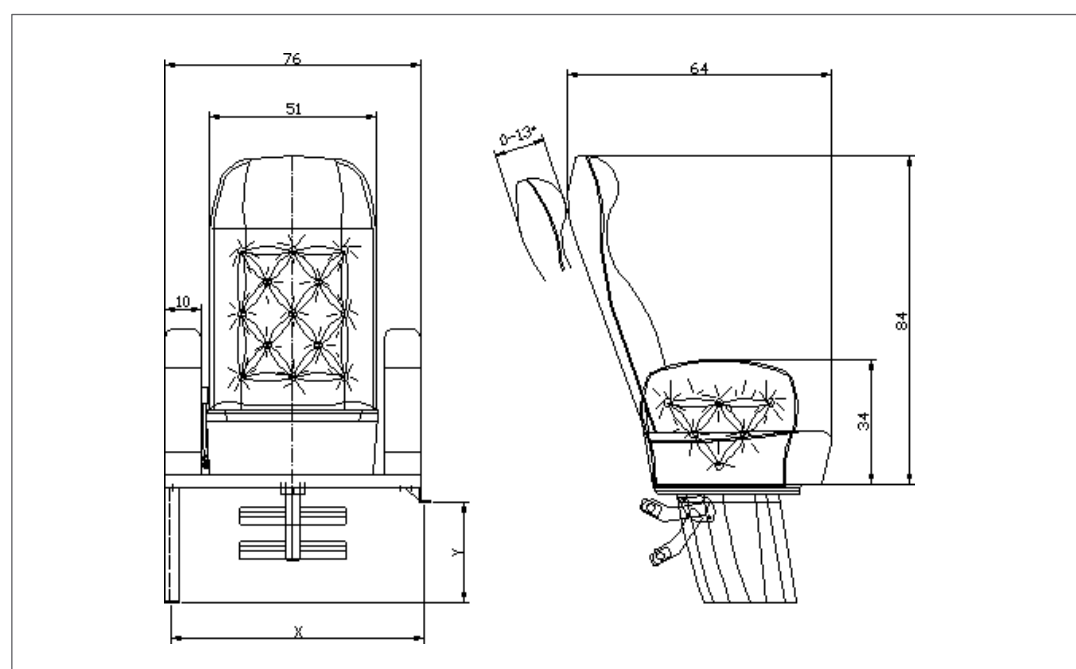
Feature	Avaiabilty	Feature	Avaiabilty
Fixed Back		Three-Points Safety Belt	✓
Reclining Back	✓	Handle	✓
Side Movement		Table	✓
Slide Movement		Newspaper Net	✓
ArmRest	✓	Ashtray	✓
Two-Points Safety Belt	✓	FootRest	✓
Massage Unit		HeadRest	
Automatic Move		USB	



VIP 5020 Single

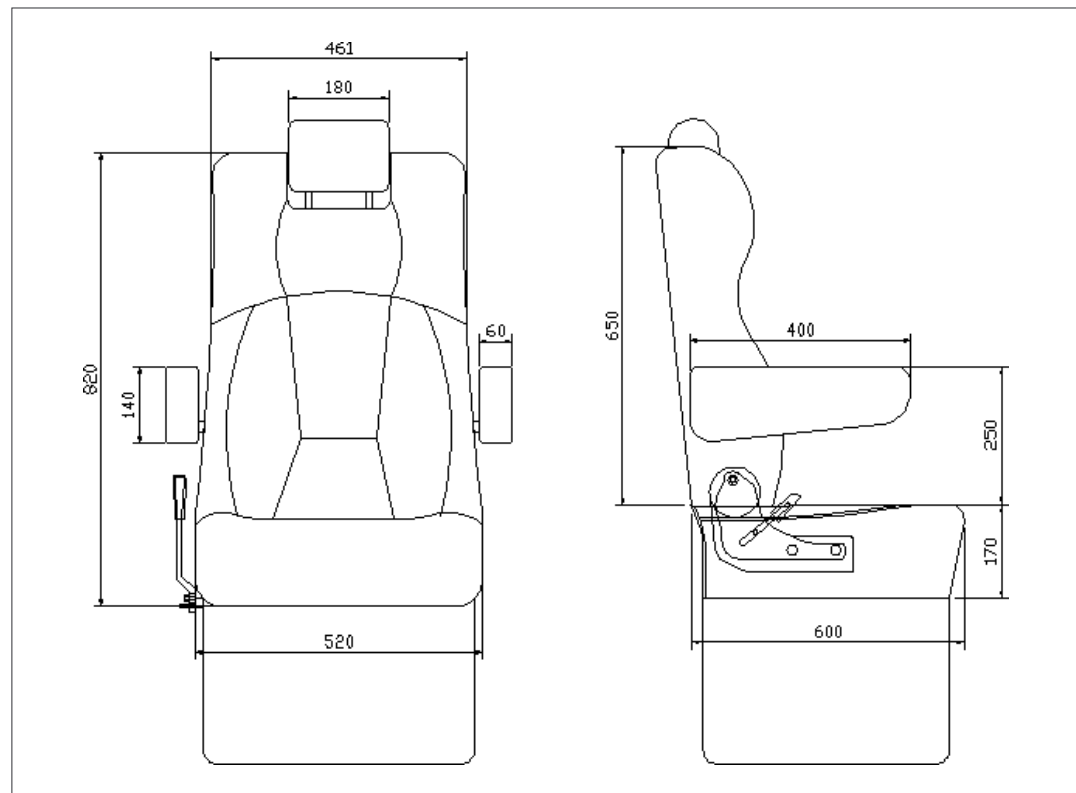


Feature	Availability	Feature	Availability
Fixed Back		Three-Points Safety Belt	<input type="checkbox"/>
Reclining Back	<input type="checkbox"/>	Handle	<input type="checkbox"/>
Side Movement		Table	<input type="checkbox"/>
Slide Movement		Newspaper Net	<input type="checkbox"/>
ArmRest	<input type="checkbox"/>	Ashtray	<input type="checkbox"/>
Two-Points Safety Belt	<input type="checkbox"/>	FootRest	<input type="checkbox"/>
Massage Unit		HeadRest	
Automatic Move		USB	



VIP 5050

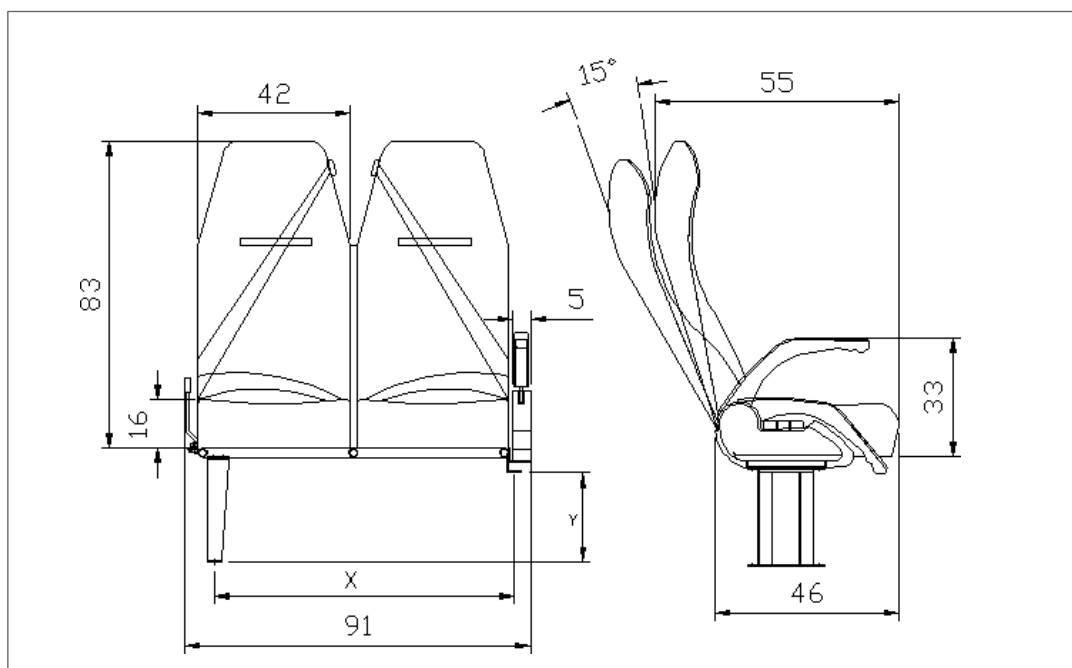
Feature	Availability	Feature	Availability
Fixed Back		Three-Points Safety Belt	<input type="checkbox"/>
Reclining Back	<input type="checkbox"/>	Handle	
Side Movement		Table	
Slide Movement		Newspaper Net	
ArmRest	<input type="checkbox"/>	Ashtray	
Two-Points Safety Belt	<input type="checkbox"/>	FootRest	
Massage Unit		HeadRest	<input type="checkbox"/>
Automatic Move		USB	



X 900



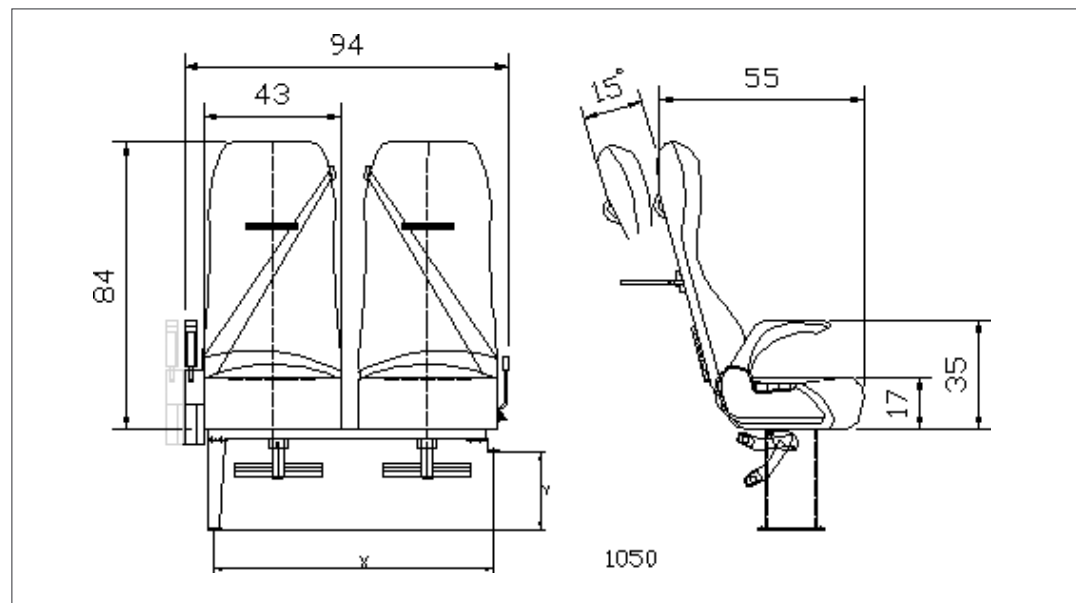
Feature	Availability	Feature	Availability
Fixed Back		Three-Points Safety Belt	<input type="checkbox"/>
Reclining Back	<input type="checkbox"/>	Handle	<input type="checkbox"/>
Side Movement		Table	<input type="checkbox"/>
Slide Movement		Newspaper Net	<input type="checkbox"/>
ArmRest	<input type="checkbox"/>	Ashtray	<input type="checkbox"/>
Two-Points Safety Belt		FootRest	
Massage Unit		HeadRest	
Automatic Move		USB	



1050



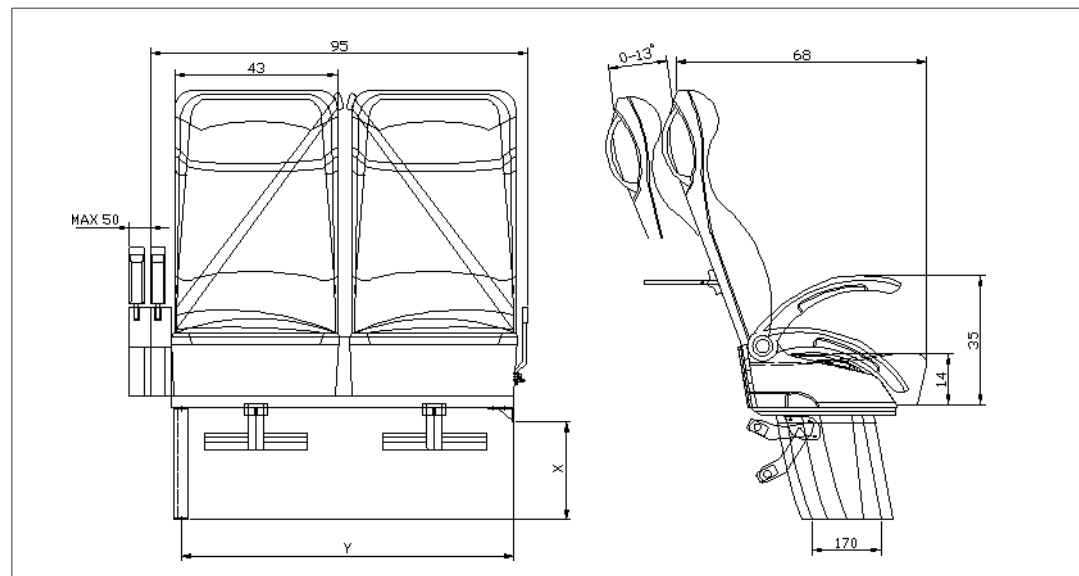
Feature	Avaiabilty	Feature	Avaiabilty
Fixed Back		Three-Points Safety Belt	<input type="checkbox"/>
Reclining Back	<input type="checkbox"/>	Handle	<input type="checkbox"/>
Side Movement	<input type="checkbox"/>	Table	<input type="checkbox"/>
Slide Movement		Newspaper Net	<input type="checkbox"/>
ArmRest	<input type="checkbox"/>	Ashtray	<input type="checkbox"/>
Two-Points Safety Belt		FootRest	<input type="checkbox"/>
Massage Unit		HeadRest	
Automatic Move		USB	



2020Star



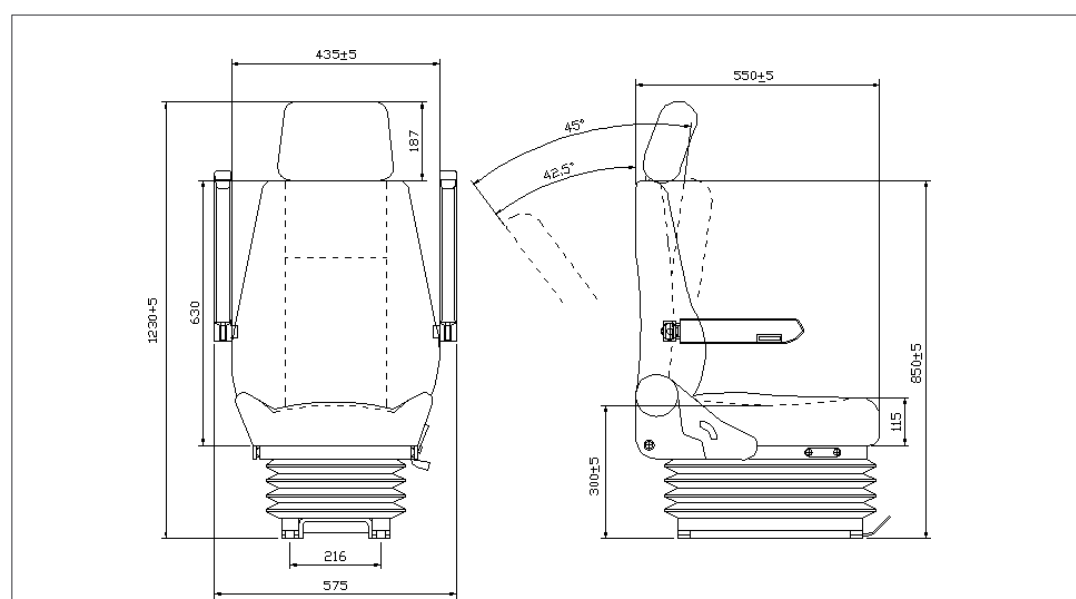
Feature	Avaiabilty	Feature	Avaiabilty
Fixed Back		Three-Points Safety Belt	<input type="checkbox"/>
Reclining Back	<input type="checkbox"/>	Handle	<input type="checkbox"/>
Side Movement	<input type="checkbox"/>	Table	<input type="checkbox"/>
Slide Movement	<input type="checkbox"/>	Newspaper Net	<input type="checkbox"/>
ArmRest	<input type="checkbox"/>	Ashtray	<input type="checkbox"/>
Two-Points Safety Belt		FootRest	<input type="checkbox"/>
Massage Unit		HeadRest	
Automatic Move		USB	



Driver Seat



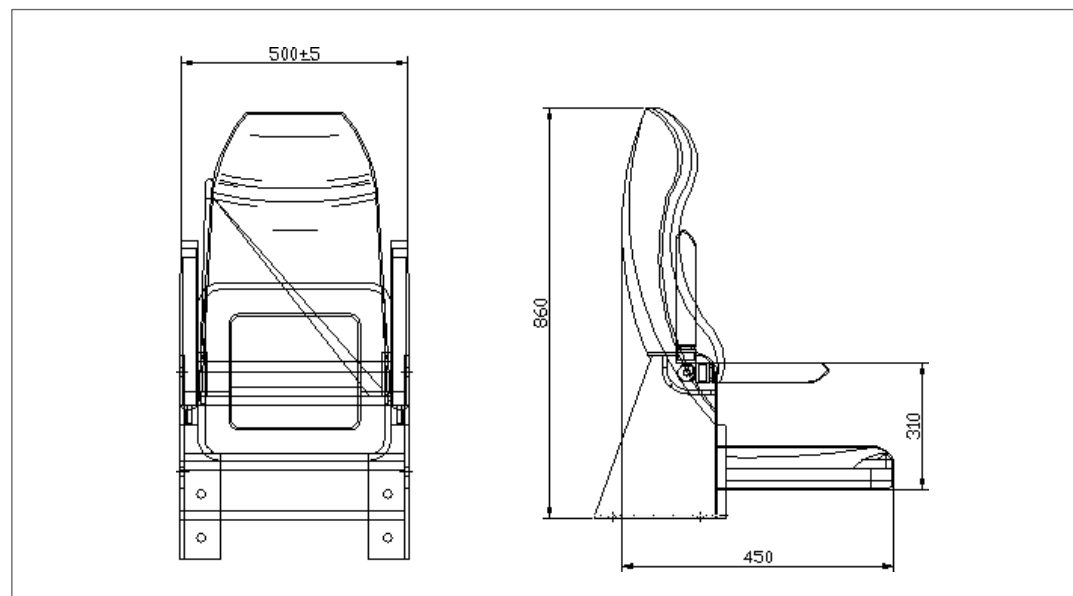
Feature	Availability	Feature	Availability
Fixed Back		Three-Points Safety Belt	<input type="checkbox"/>
Reclining Back	<input type="checkbox"/>	Handle	
Side Movement		Table	
Slide Movement	<input type="checkbox"/>	Newspaper Net	
ArmRest	<input type="checkbox"/>	Ashtray	
Two-Points Safety Belt		FootRest	
Massage Unit		HeadRest	<input type="checkbox"/>
Automatic Move		USB	



Guide Seat



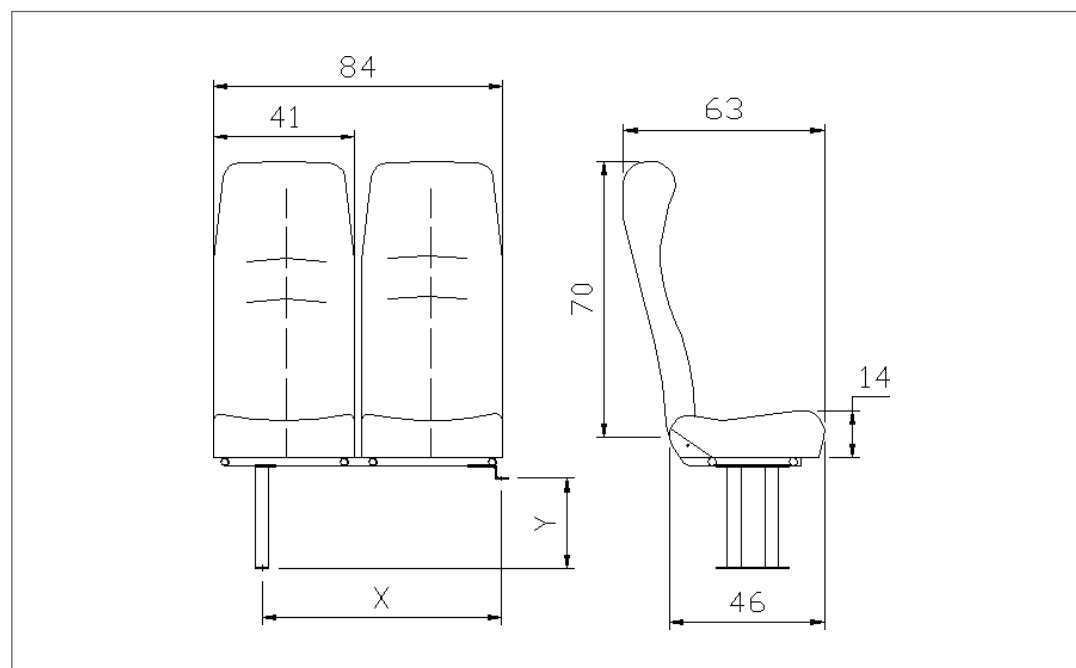
Feature	Availability	Feature	Availability
Fixed Back	<input type="checkbox"/>	Three-Points Safety Belt	<input type="checkbox"/>
Reclining Back		Handle	
Side Movement		Table	
Slide Movement		Newspaper Net	
ArmRest	<input type="checkbox"/>	Ashtray	
Two-Points Safety Belt		FootRest	
Massage Unit		HeadRest	
Automatic Move		USB	



City Senior



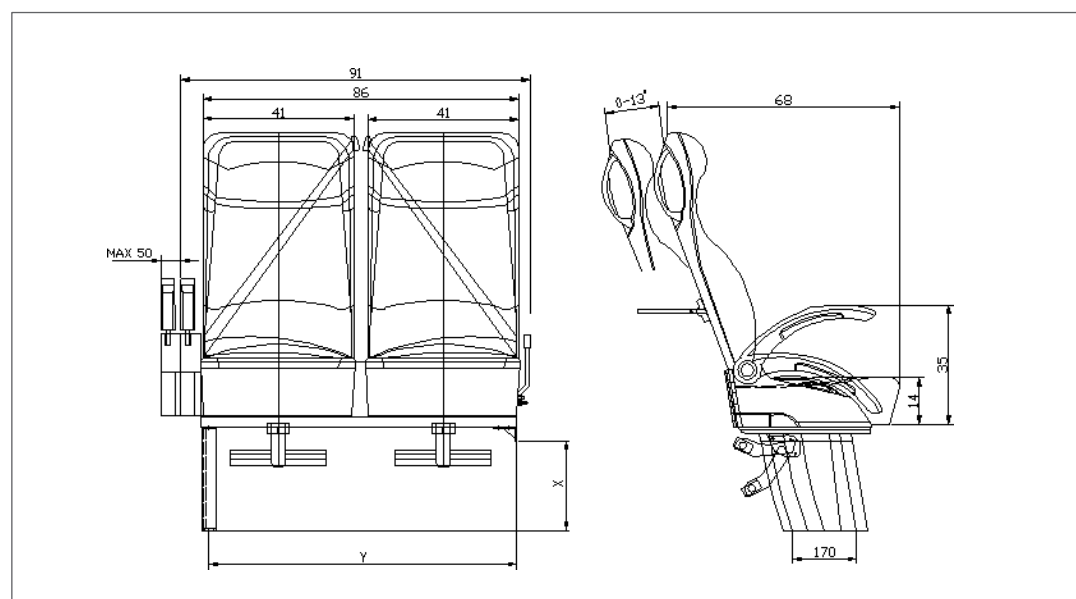
Feature	Availability	Feature	Availability
Fixed Back	<input type="checkbox"/>	Three-Points Safety Belt	
Reclining Back		Handle	<input type="checkbox"/>
Side Movement		Table	<input type="checkbox"/>
Slide Movement		Newspaper Net	<input type="checkbox"/>
ArmRest	<input type="checkbox"/>	Ashtray	<input type="checkbox"/>
Two-Points Safety Belt		FootRest	
Massage Unit		HeadRest	
Automatic Move		USB	



2020



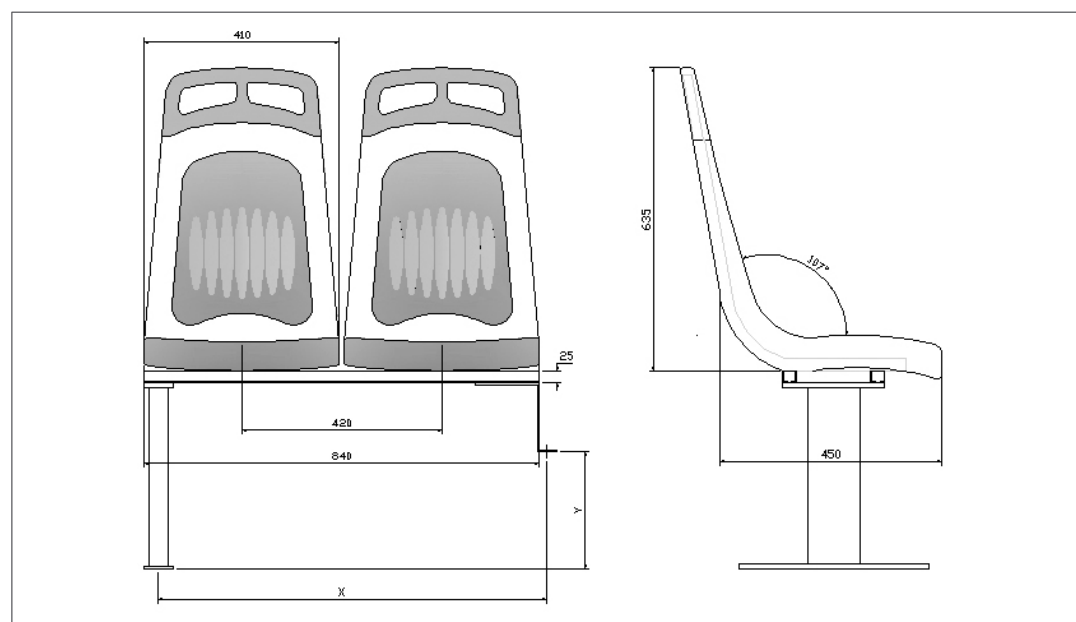
Feature	Availability	Feature	Availability
Fixed Back		Three-Points Safety Belt	<input type="checkbox"/>
Reclining Back	<input type="checkbox"/>	Handle	<input type="checkbox"/>
Side Movement	<input type="checkbox"/>	Table	<input type="checkbox"/>
Slide Movement	<input type="checkbox"/>	Newspaper Net	<input type="checkbox"/>
ArmRest	<input type="checkbox"/>	Ashtray	<input type="checkbox"/>
Two-Points Safety Belt		FootRest	<input type="checkbox"/>
Massage Unit		HeadRest	
Automatic Move		USB	



City Plastic



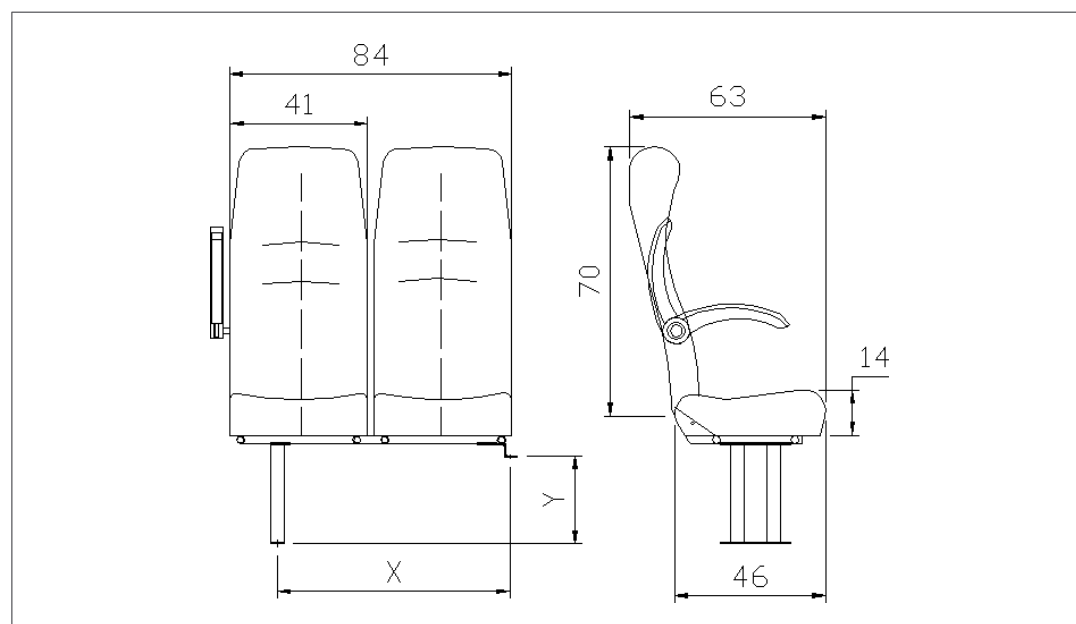
Feature	Avaiabilty	Feature	Avaiabilty
Fixed Back	<input type="checkbox"/>	Three-Points Safety Belt	
Reclining Back		Handle	
Side Movement		Table	
Slide Movement		Newspaper Net	
ArmRest		Ashtray	
Two-Points Safety Belt		FootRest	
Massage Unit		HeadRest	
Automatic Move		USB	



City Senior Star

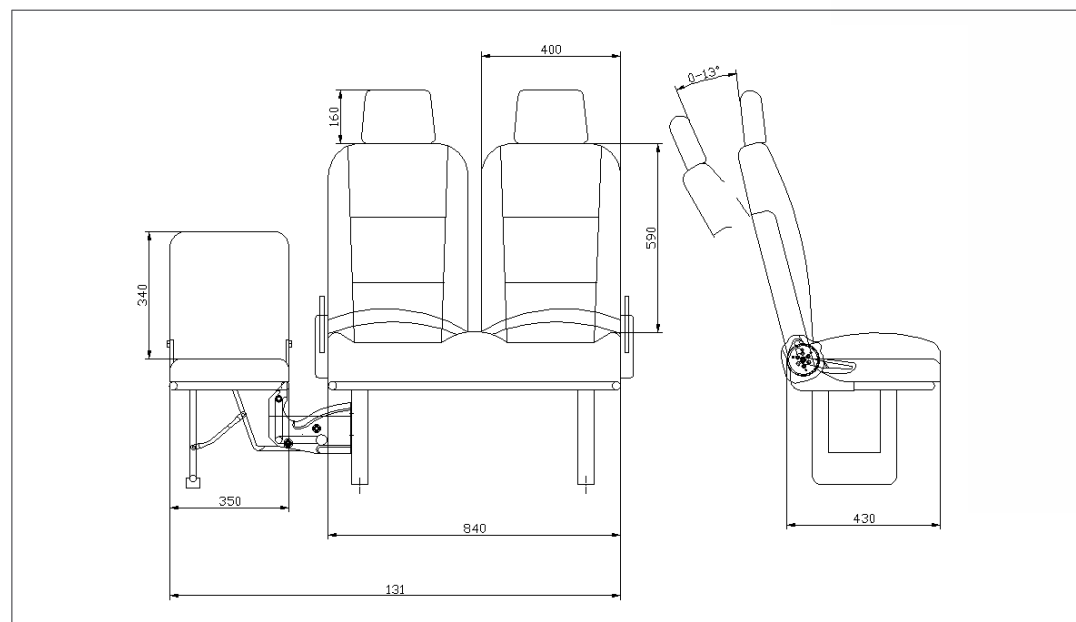


Feature	Availability	Feature	Availability
Fixed Back	<input type="checkbox"/>	Three-Points Safety Belt	
Reclining Back		Handle	<input type="checkbox"/>
Side Movement		Table	<input type="checkbox"/>
Slide Movement		Newspaper Net	<input type="checkbox"/>
ArmRest	<input type="checkbox"/>	Ashtray	<input type="checkbox"/>
Two-Points Safety Belt	<input type="checkbox"/>	FootRest	
Massage Unit		HeadRest	
Automatic Move		USB	



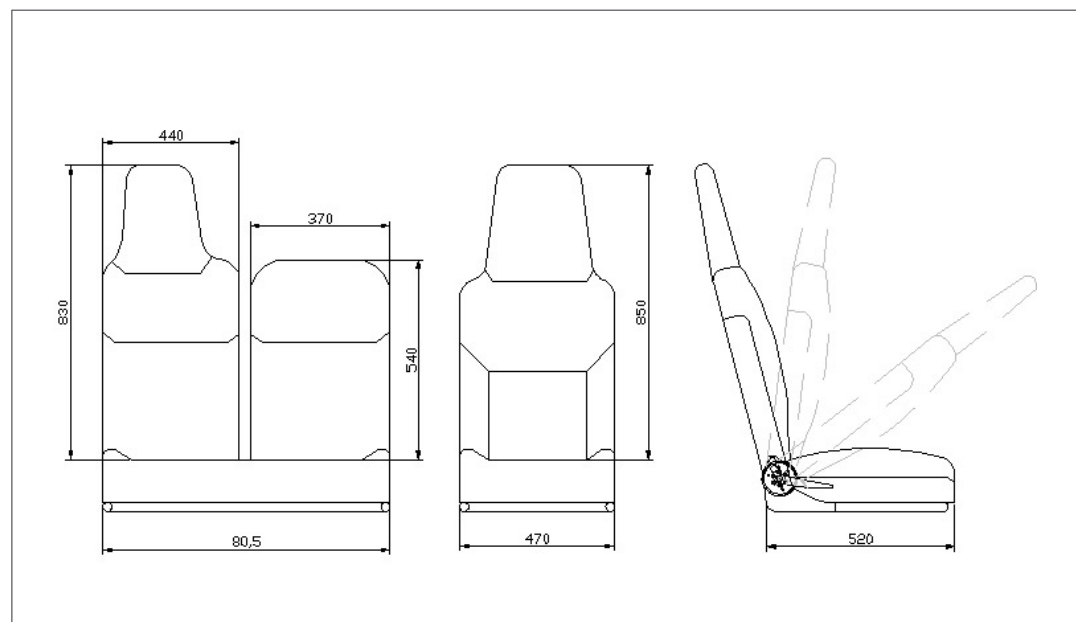
Micro Bus Seats

Feature	Availability	Feature	Availability
Fixed Back	<input type="checkbox"/>	Three-Points Safety Belt	<input type="checkbox"/>
Reclining Back	<input type="checkbox"/>	Handle	<input type="checkbox"/>
Side Movement		Table	
Slide Movement		Newspaper Net	<input type="checkbox"/>
ArmRest		Ashtray	
Two-Points Safety Belt	<input type="checkbox"/>	FootRest	
Massage Unit		HeadRest	<input type="checkbox"/>
Automatic Move		USB	

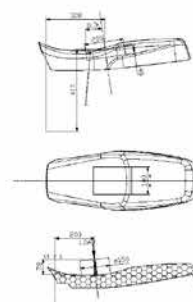
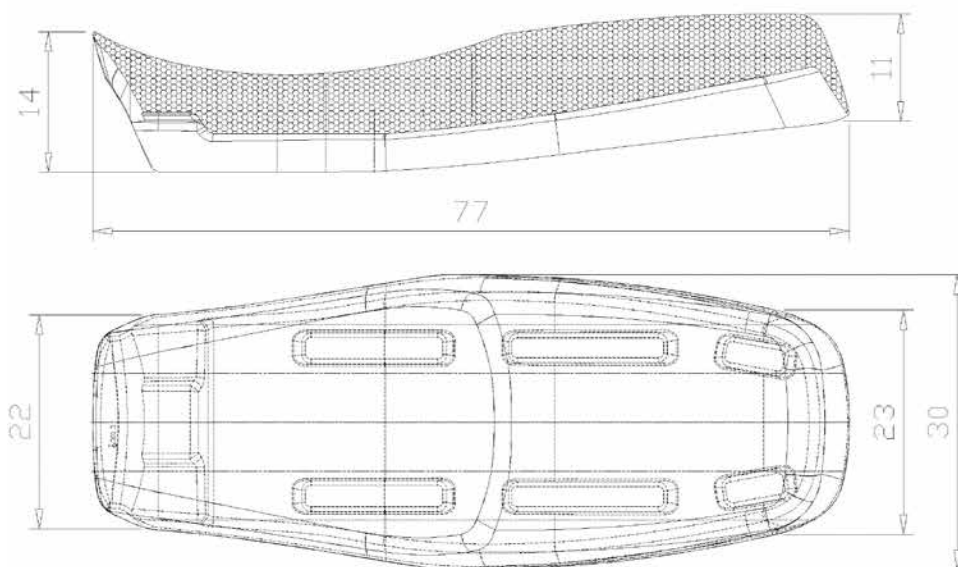


Trucks

Feature	Availability	Feature	Availability
Fixed Back		Three-Points Safety Belt	
Reclining Back	<input type="checkbox"/>	Handle	
Side Movement		Table	
Slide Movement	<input type="checkbox"/>	Newspaper Net	
ArmRest		Ashtray	
Two-Points Safety Belt	<input type="checkbox"/>	FootRest	
Massage Unit		HeadRest	<input type="checkbox"/>
Automatic Move		USB	



3-2wheelers



Fork Lift Seat



Foam Products





www.trust-seats.com