

# The National Company

*for Glass and Crystal*





**THE NATIONAL CO. FOR GLASS AND CRYSTAL (S.A.E)**  
**HEAD OFFICE: 16 Abdel Khalik Sarwat, Cairo, Egypt.**

**TEL.: (002) 0223926615**

**FAX.: (002) 0223931067**

**FACTORY: Industrial Zone A1, P.O. Box: 216, 10th of Ramadan City 44629, Egypt.**

**TEL.: (002) 015410367**

**FAX.: (002) 015410369**

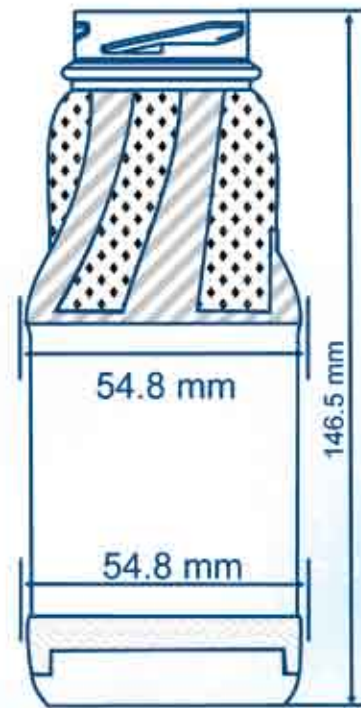
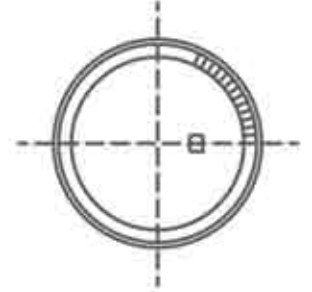
**E-MAIL: [ncgc@ncgc-egypt.com](mailto:ncgc@ncgc-egypt.com)**

**WEBSITE: [www.ncgc-egypt.com](http://www.ncgc-egypt.com)**

# Bottles

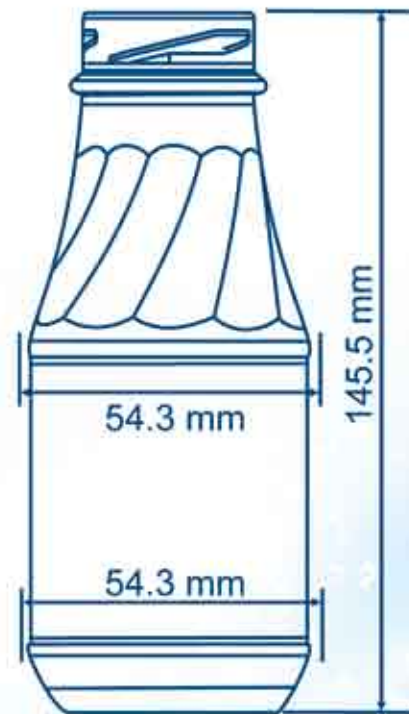
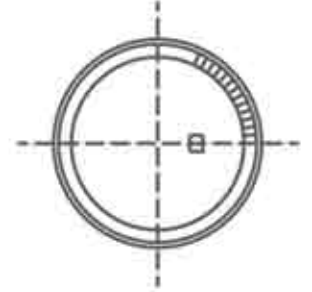


# Juice 200 ml



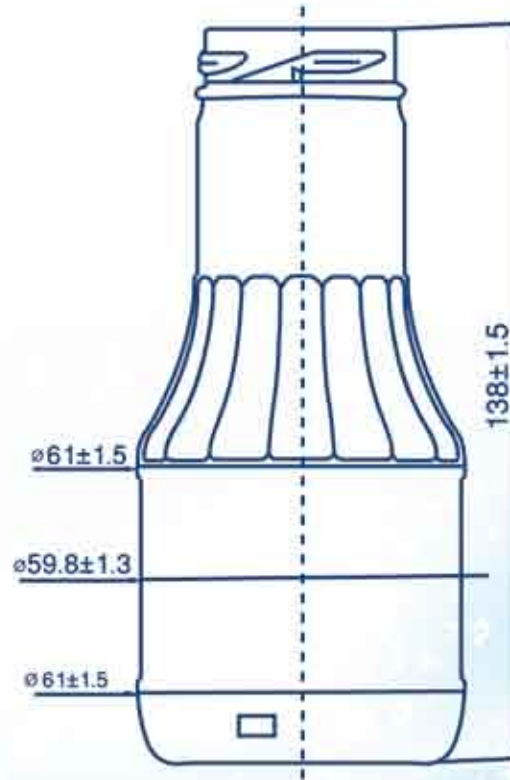
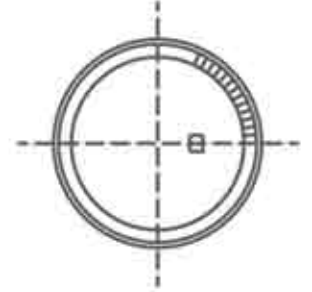
Article Name	200 ml NRB-Faragalla
Code No.	239
Weight	150 gr
B.Capacity	215 ml
Finish Type	T.O 38 FD 146
Pieces Per Pallet	5160 (430 x 12)
Pallet Dimensions	(100x120x196)cm

# Juice 200 ml



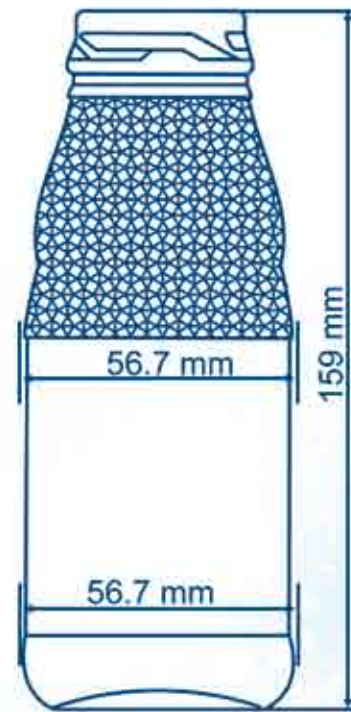
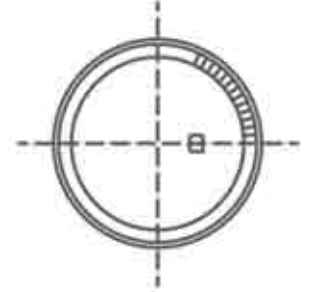
Article Name	200 ml NRB-Heinz
Code No.	243
Weight	120 gr
B.Capacity	215 ml
Finish Type	T.O 38 FD 146
Pieces Per Pallet	5876 (452 x 13)
Pallet Dimensions	(100x120x210)cm

# Juice 200 ml



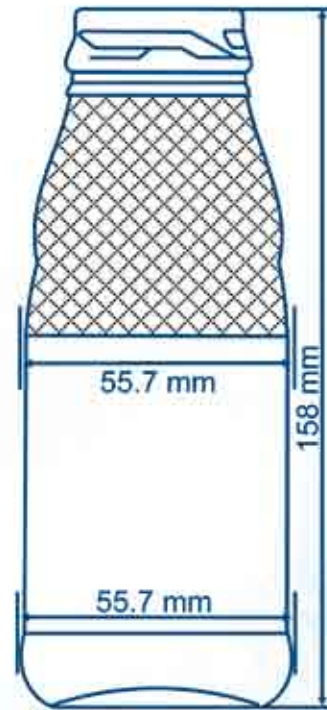
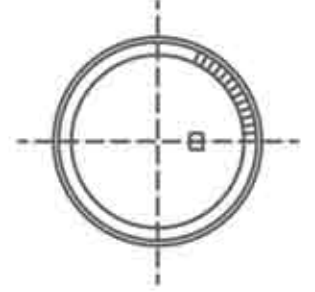
Article Name	200 ml NRB - Sakr
Code No.	244
Weight	125 gr
B.Capacity	220 ml
Finish Type	T.O 38 FD 146
Pieces Per Pallet	4104 (342 × 12)
Pallet Dimensions	(100×120×186) cm

# Juice 250 ml



Article Name	250 ml NRB-Faragalla
Code No.	268/1
Weight	150 gr
B.Capacity	265 ml
Finish Type	T.O 38 FD 146
Pieces Per Pallet	4620 (420 x 11)
Pallet Dimensions	(100x120x196)cm

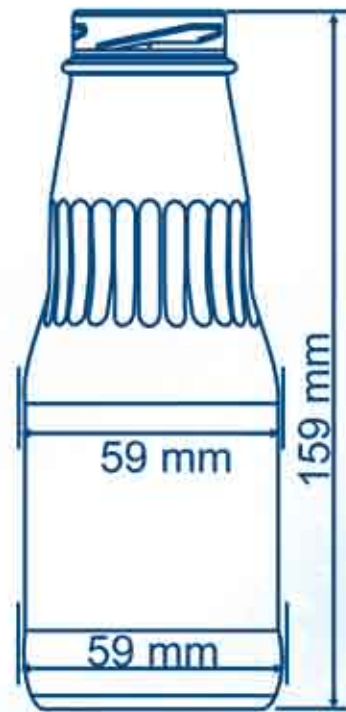
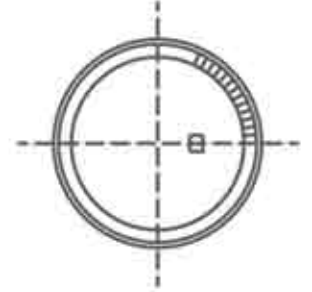
# Juice 250 ml



Article Name	250 ml NRB-Faragalla
Code No.	268/2
Weight	125 gr
B.Capacity	265 ml
Finish Type	T.O 38 FD 146
Pieces Per Pallet	4620 (420 x 11)
Pallet Dimensions	(100x120x191)cm

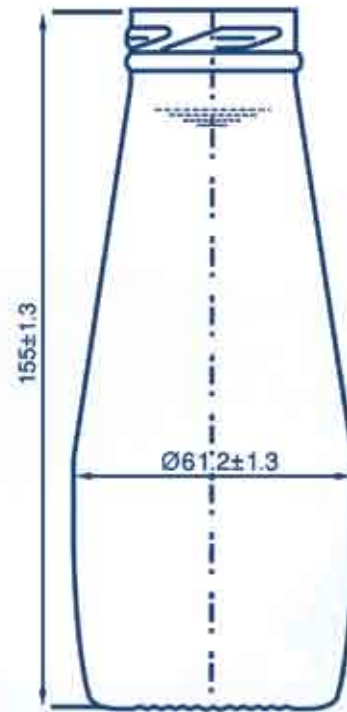
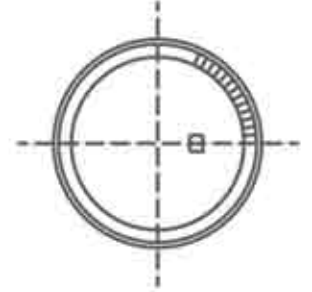


# Juice 250 ml



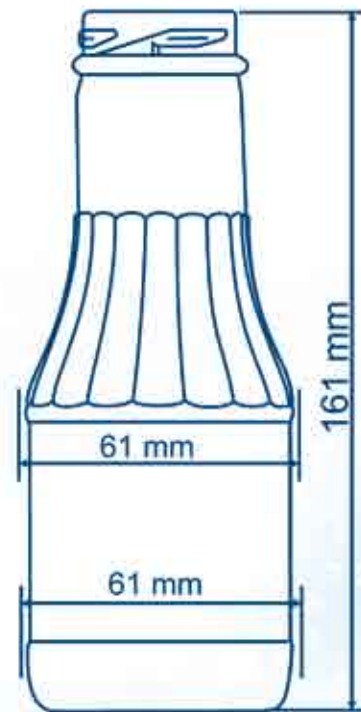
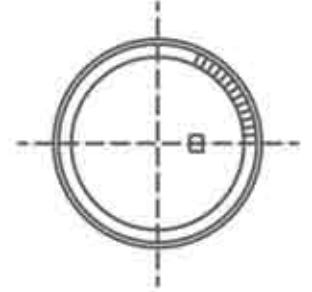
Article Name	250 ml NRB-Enjoy
Code No.	269
Weight	155 gr
B.Capacity	265 ml
Finish Type	T.O 38 FD 146
Pieces Per Pallet	4180 (380 x 1 1)
Pallet Dimensions	(100x120x194)cm

# Juice 250 ml



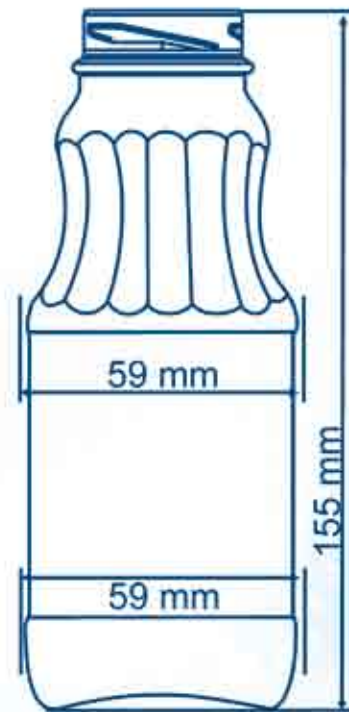
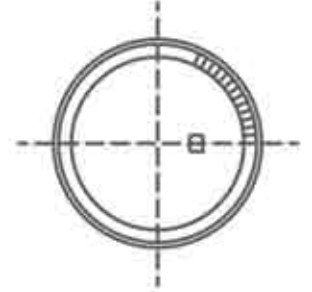
Article Name	250 ml NRB - JOUD
Code No.	277
Weight	140 gr
B.Capacity	265 ml
Finish Type	T.O 38 FD 146 H 13
Pieces Per Pallet	4788 (342 × 14)
Pallet Dimensions	(100×120×236) cm

# Juice 250 ml



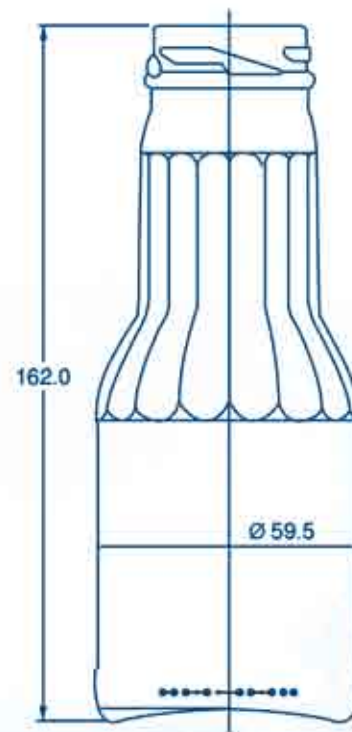
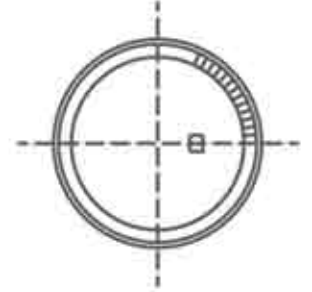
Article Name	250 ml NRB-Sakr
Code No.	275
Weight	150 gr
B.Capacity	265 ml
Finish Type	T.O 38 FD 146
Pieces Per Pallet	3610 (361 x 10)
Pallet Dimensions	(100x120x180)cm

# Juice 250 ml



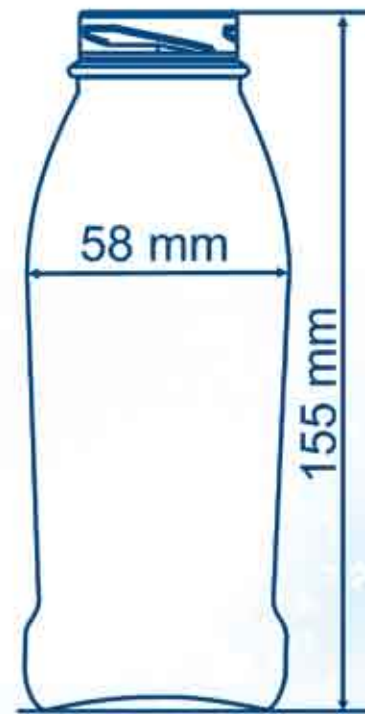
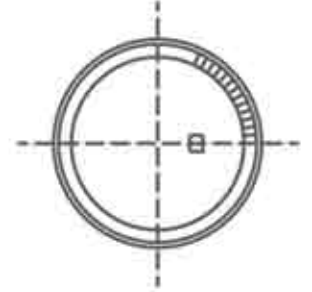
Article Name	250 ml NRB-Super Foods
Code No.	271
Weight	150 gr
B.Capacity	265 ml
Finish Type	T.O 38 FD 146
Pieces Per Pallet	4452 (371 x 12)
Pallet Dimensions	(100x120x206)cm

# Juice 250 ml



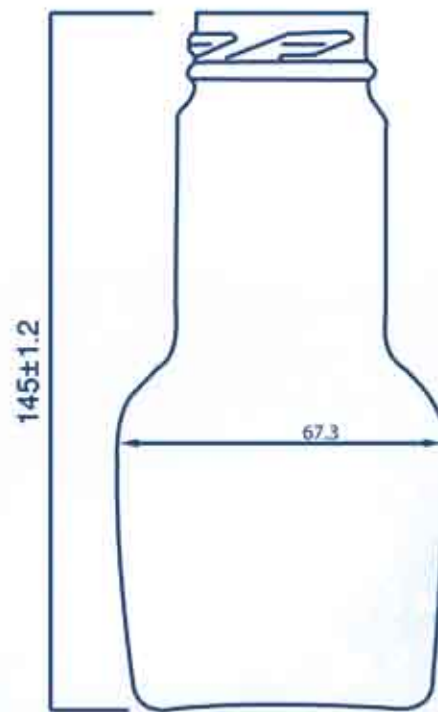
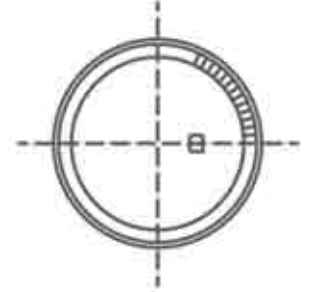
Article Name	250 ml NRB
Code No.	276
Weight	150 gr
B.Capacity	265 ml
Finish Type	T.O 38 FD 146
Pieces Per Pallet	3971 (361 × 11)
Pallet Dimensions	(100×120×199) cm

# Juice 250 ml



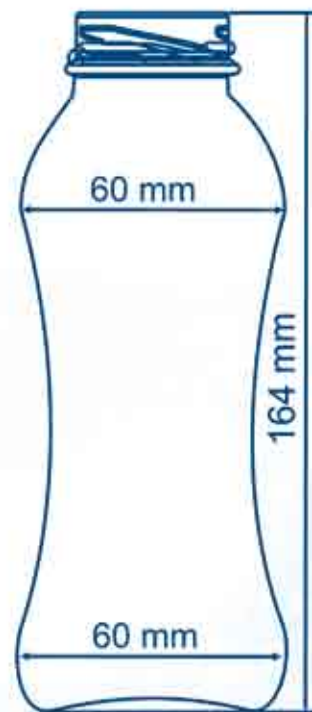
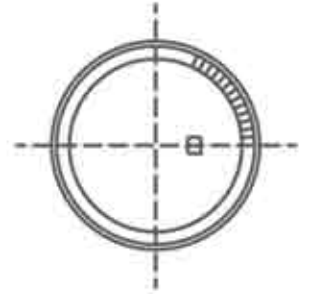
Article Name	250 ml NRB-Mira
Code No.	272
Weight	150
B.Capacity	270 ml
Finish Type	T.O 38 FD 146
Pieces Per Pallet	4290 (390 x 11)
Pallet Dimensions	(100x120x190)cm

# Juice 250 ml



Article Name	250 ml NRB BEST
Code No.	261/2
Weight	160 gr
B.Capacity	265 ml
Finish Type	T.O 38 FD 146
Pieces Per Pallet	3757 (289×13)
Pallet Dimensions	(100×120×206) cm

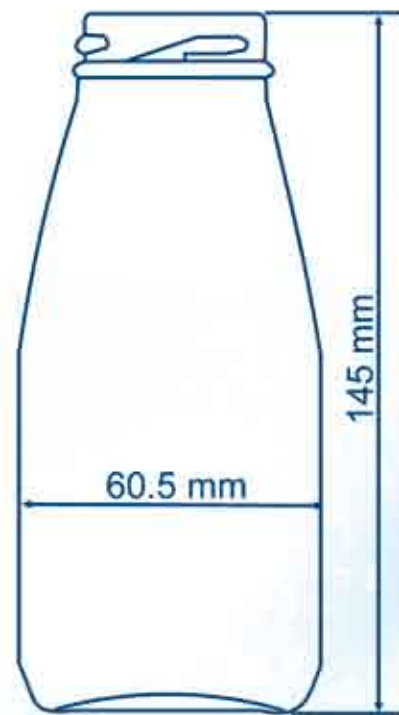
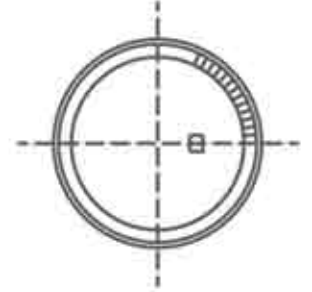
# Juice 250 ml



Article Name	250 ml NRB-Jammy
Code No.	273
Weight	160 gr
B.Capacity	265 ml
Finish Type	T.O 38 FD 146
Pieces Per Pallet	4081 371 x 11)
Pallet Dimensions	(100x120x200)cm

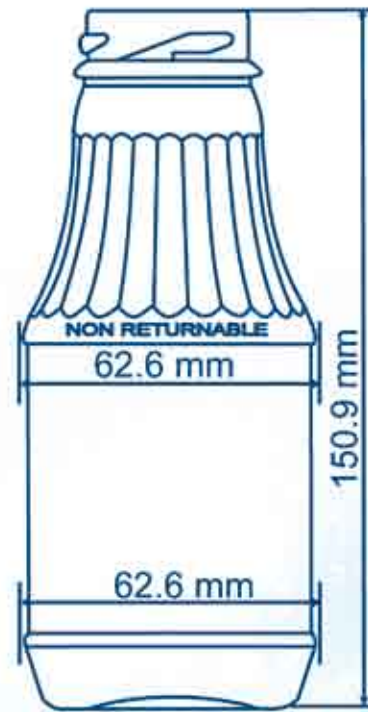
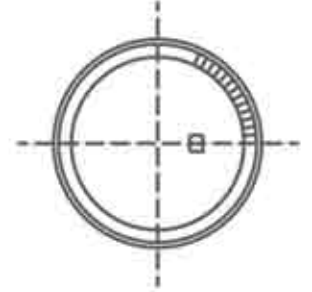


# Juice 250 ml



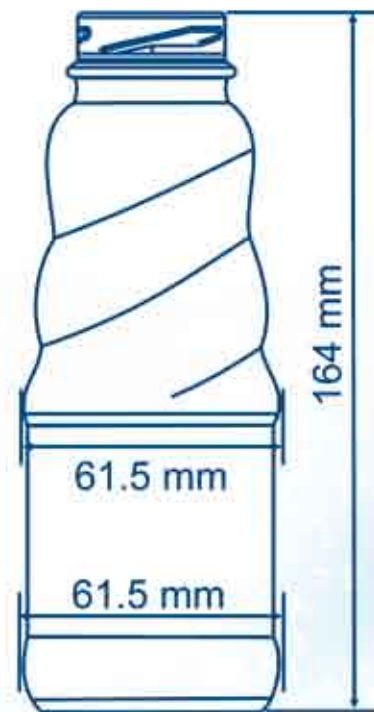
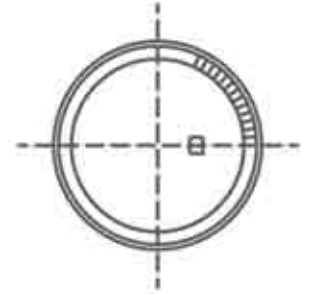
Article Name	250 ml NRB-Gomana
Code No.	260/1
Weight	150 gr
B.Capacity	265 ml
Finish Type	T.O 38 FD 146
Pieces Per Pallet	5472 (342 x 16)
Pallet Dimensions	(100x120x254)cm

# Juice 250 ml



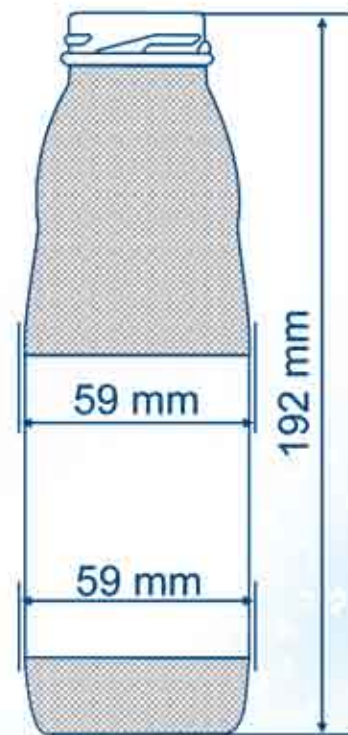
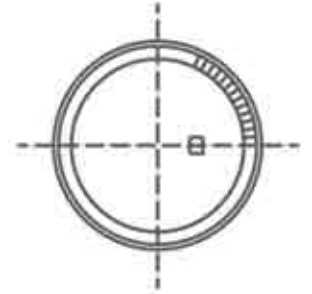
Article Name	250 ml NRB-Vitrac
Code No.	251/1
Weight	150 gr
B.Capacity	265 ml
Finish Type	T.O 38 FD 146
Pieces Per Pallet	4212 (351 x 12)
Pallet,s Dimensions	(100x120x200)cm

# Juice 300 ml



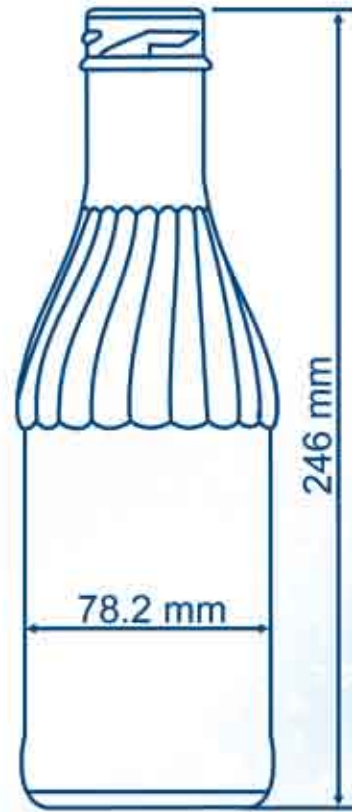
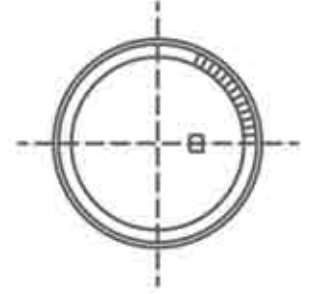
Article Name	300 ml NRB-Elmisrieen
Code No.	317
Weight	160 gr
B.Capacity	315 ml
Finish Type	T.O 38 FD 146
Pieces Per Pallet	3762 (342 x 11)
Pallet Dimensions	(100x120x200)cm

# Juice 350 ml



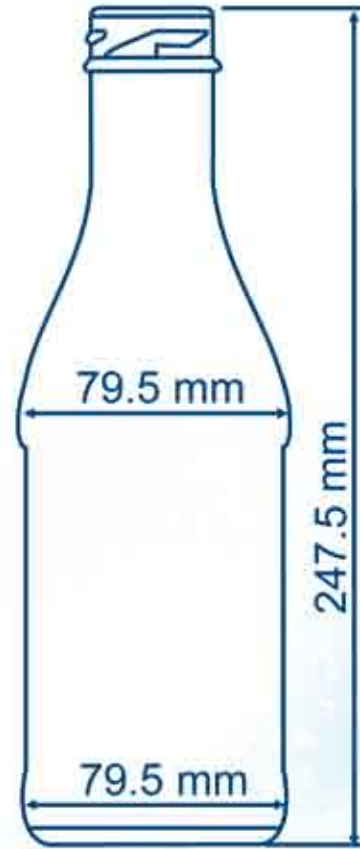
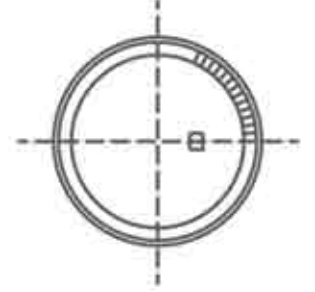
Article Name	350 ml NRB-juice
Code No.	355
Weight	185 gr
B.Capacity	365 ml
Finish Type	T.O 38 FD 146
Pieces Per Pallet	3420 (9 x 380)
Pallet Dimensions	(100x120x191)cm

# Juice 675 ml



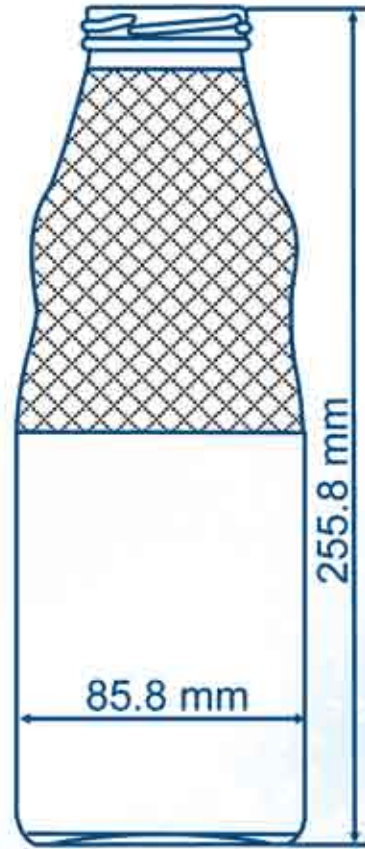
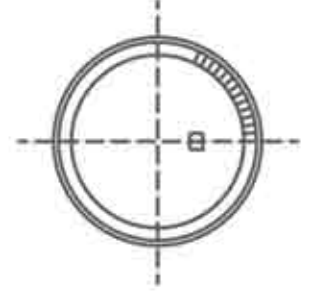
Article Name	675 ml NRB-Vitrac
Code No.	652/2
Weight	325 gr
B.Capacity	675 ml
Finish Type	T.O 38 FD 146
Pieces Per Pallet	1680 (210 x 8)
Pallet Dimensions	(100x120x215)cm

# Juice 710 ml



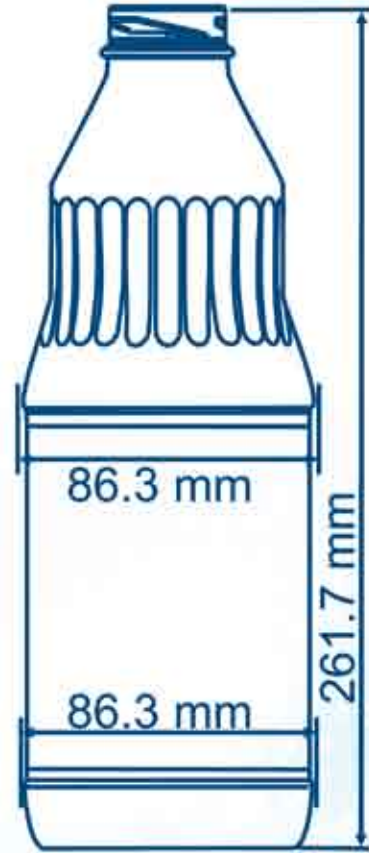
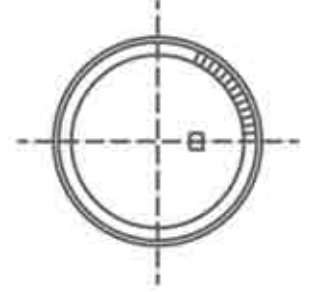
Article Name	710ml NRB
Code No.	655/3
Weight	325 gr
B.Capacity	710 ml
Finish Type	T.O 38 FD 146
Pieces Per Pallet	1624 (203 x 8)
Pallet Dimensions	(100x120x216)cm

# Juice 1000 ml



Article Name	1000 ml NRB-Faragalla
Code No.	1013/1
Weight	400 gr
B.Capacity	1025 ml
Finish Type	T.O 53 FD 136
Pieces Per Pallet	1232 (176 x 7)
Pallet Dimensions	(100x120x196)cm

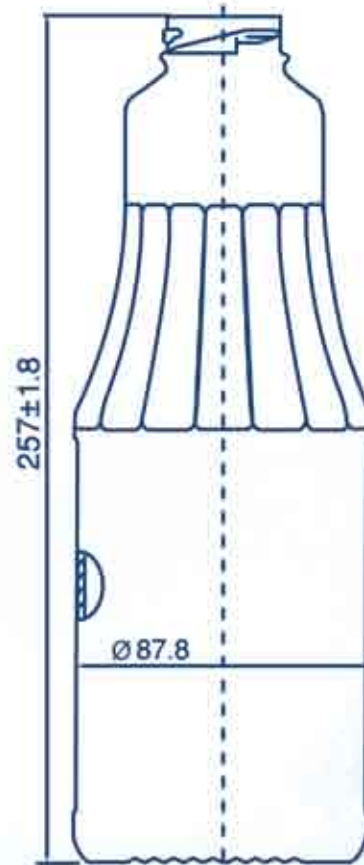
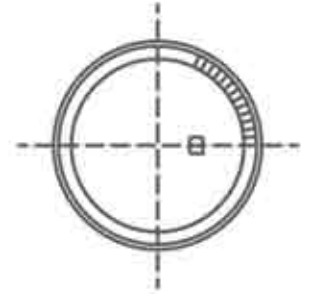
# Juice 1000 ml



Article Name	1000 ml NRB-Enjoy
Code No.	1014/1
Weight	420 gr
B.Capacity	1025 ml
Finish Type	T.O 38 FD 146
Pieces Per Pallet	1232 (176 x 7)
Pallet Dimensions	(100x120x200)cm

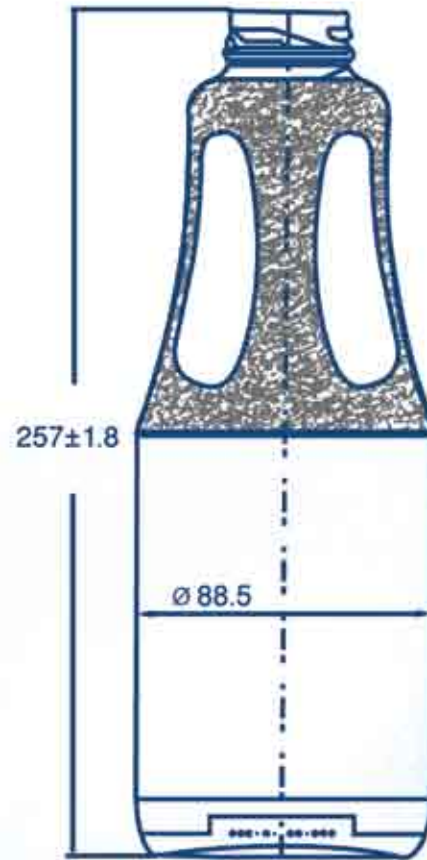
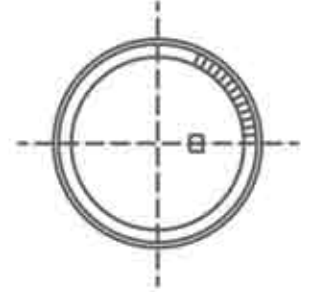


# Juice 1000 ml



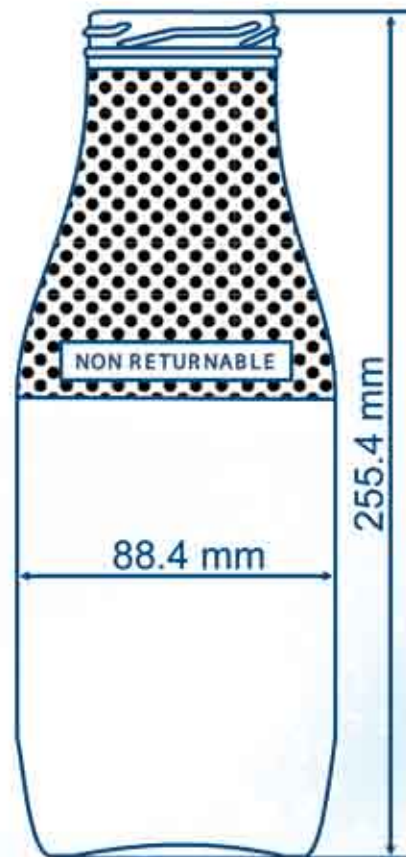
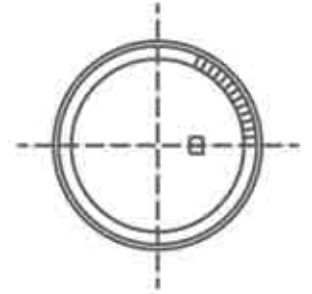
Article Name	1000 ml NRB - Sakr
Code No.	1020
Weight	400 gr
B.Capacity	1025 ml
Finish Type	T.O 38 FD 146
Pieces Per Pallet	1183 (7 × 169)
Pallet Dimensions	(100×120×200) cm

# Juice 1000 ml



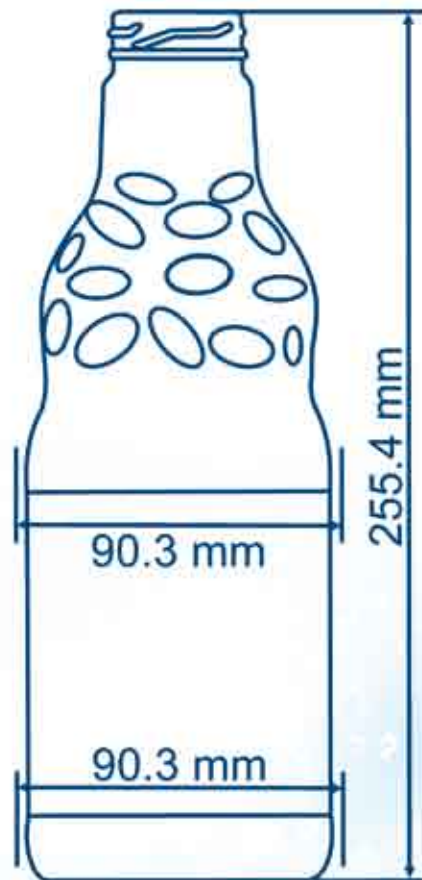
Article Name	1000 ml NRB-Watania
Code No.	1011/2
Weight	400 gr
B.Capacity	1025 ml
Finish Type	T.O 38 FD 146
Pieces Per Pallet	1183 (169 × 7)
Pallet Dimensions	(100×120×200) cm

# Juice 1000 ml



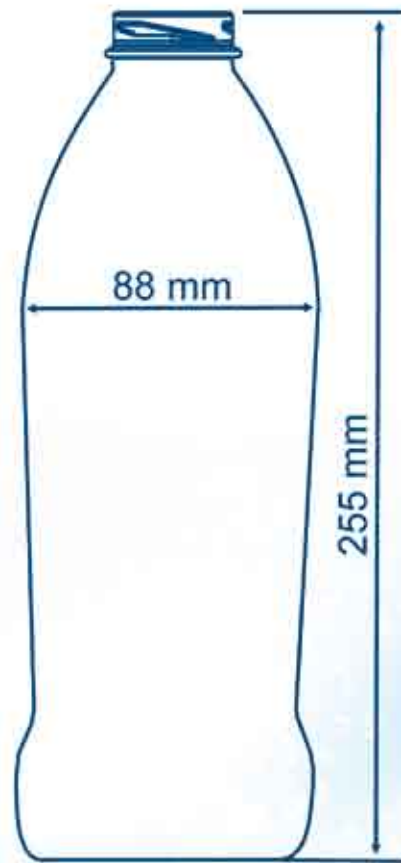
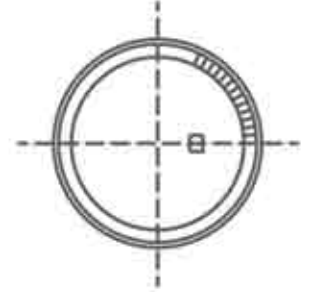
Article Name	1000 ml NRB-Best
Code No.	1010/1
Weight	400 gr
B.Capacity	1045 ml
Finish Type	T.O 53 FD 136
Pieces Per Pallet	1183 (169 x 7)
Pallet Dimensions	(100x120x196)cm

# Juice 1000 ml



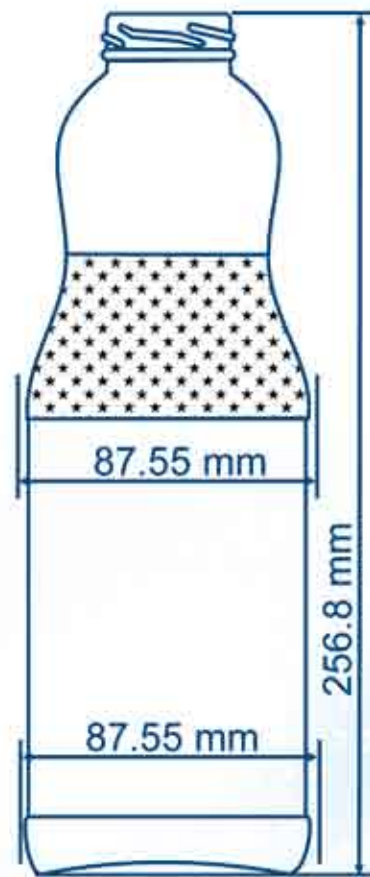
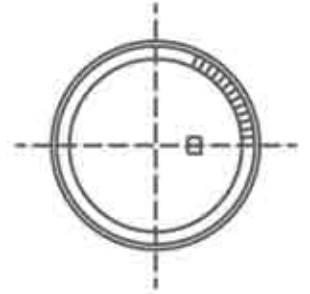
Article Name	1000 ml NRB-AGA
Code No.	1012/1
Weight	445 gr
B.Capacity	1045 ml
Finish Type	T.O 43 FD 157
Pieces Per Pallet	1092 (156 x 7)
Pallet Dimensions	(100x120x196) cm

# Juice 1000 ml



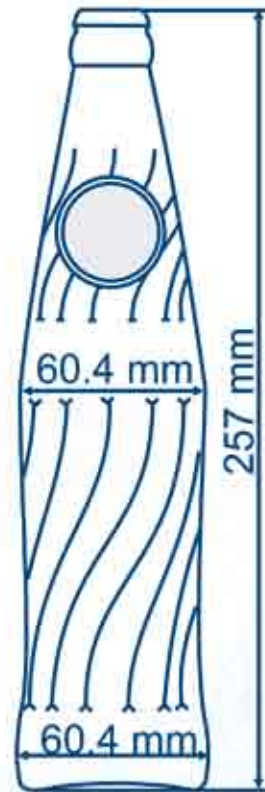
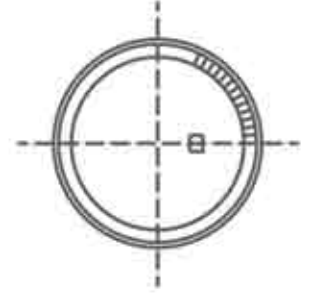
Article Name	1000 ml NRB-Mira
Code No.	1015
Weight	425 gr
B.Capacity	1035 ml
Finish Type	T.O 38 FD 146
Pieces Per Pallet	1183 (169 x 7)
Pallet Dimensions	(100x120x196)cm

# Juice 1000 ml



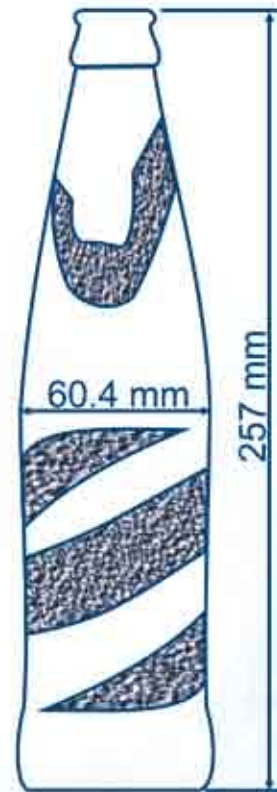
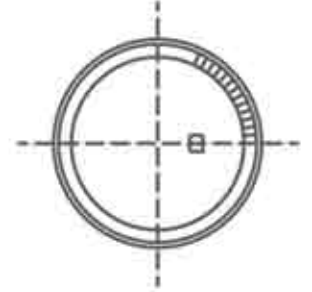
Article Name	1000 ml NRB-Watania
Code No.	1011/1
Weight	445 gr
B.Capacity	1045 ml
Finish Type	T.O 43 FD 157A
Pieces Per Pallet	1183 (169 x 7)
Pallet Dimensions	(100x120x199)cm

# Soft drink 350 ml



Article Name	350 ml RB-Pepsi
Code No.	352
Weight	380 gr
B.Capacity	372 ml
Finish Type	26 mm Crown 600
Pieces Per Pallet	2166 ( 361 x 6 )
Pallet Dimensions	(100x120x171) cm

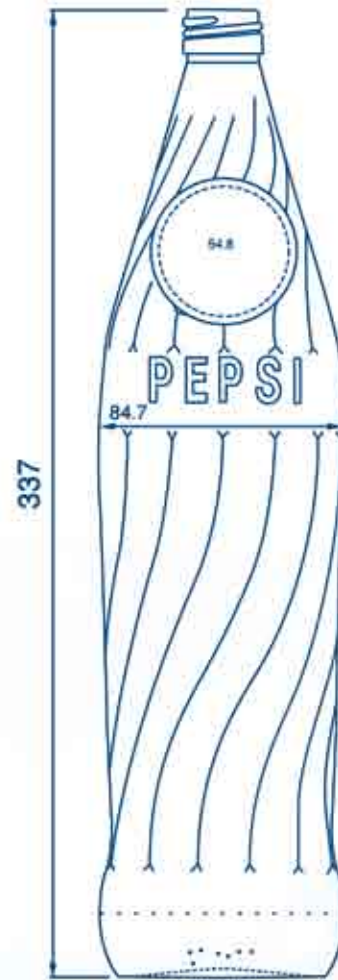
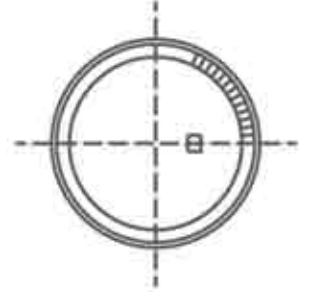
# Soft drink 350 ml



Article Name	350 ml RB-Mirinda
Code No.	353
Weight	380 gr
B.Capacity	372 ml
Finish Type	26 mm Crown 600
Pieces Per Pallet	2166 ( 361 x 6 )
Pallet Dimensions	(100x120x171) cm

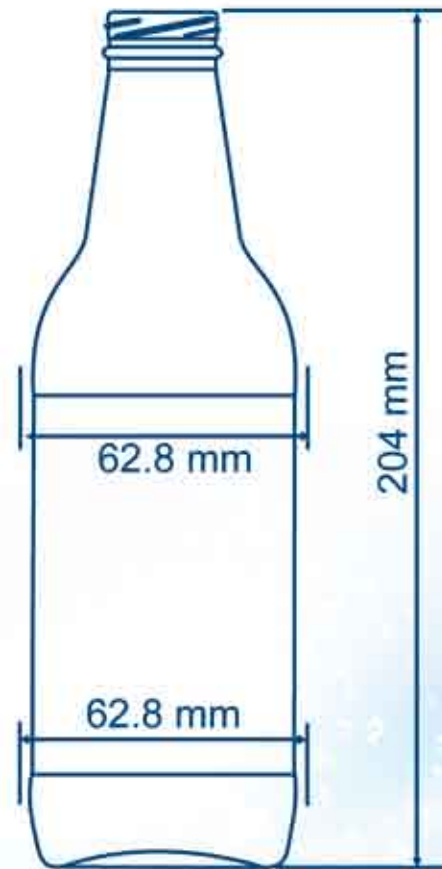
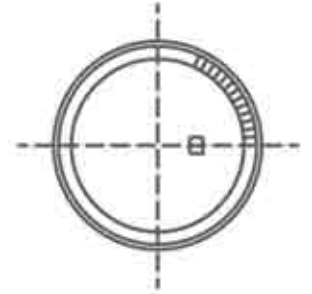


# Soft drink 1000 ml



Article Name	1000 ML RB Pepsi
Code No.	1017
Weight	822 gr
B.Capacity	1035 ML
Finish Type	MCA 1
Pieces Per Pallet	910 (182 × 5)
Pallet Dimensions	(100×120×183) cm

# Bottle 12 OZ

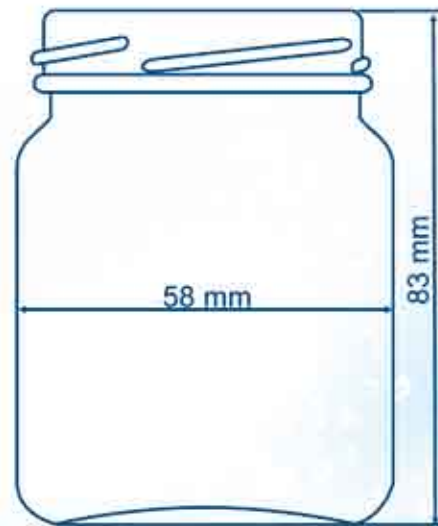
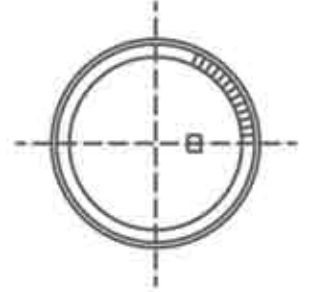


Article Name	12 Oz NRB
Code No.	356
Weight	212 gm
B.Capacity	355 ml
Finish Type	26-540 GPI
Pieces Per Pallet	3663 ( 11 x 333 )
Pallet Dimensions	(100x120x244)cm

# Jars

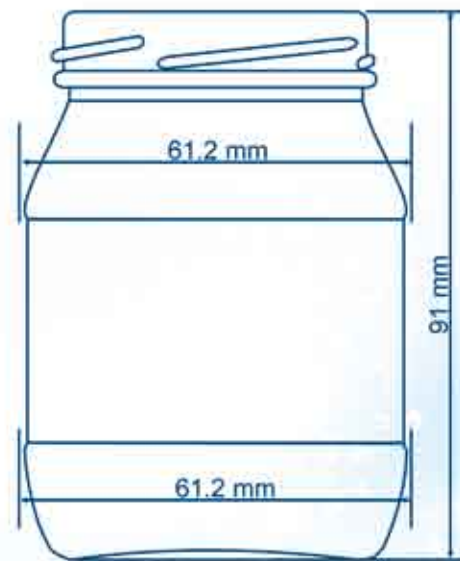
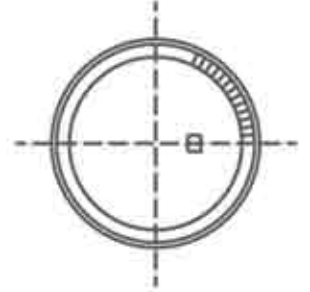


# Jar 150 ml



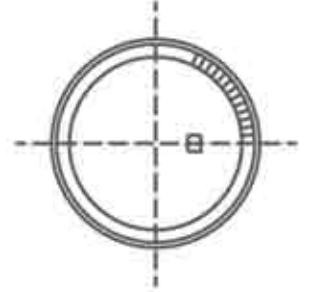
Article Name	150 ml Jar
Code No.	1151
Weight	120 gr
B.Capacity	150 ml
Finish Type	T.O 53 FD 136
Pieces Per Pallet	6080(380 x 16)
Pallet Dimensions	(100x120x155) cm

# Jar 190 ml



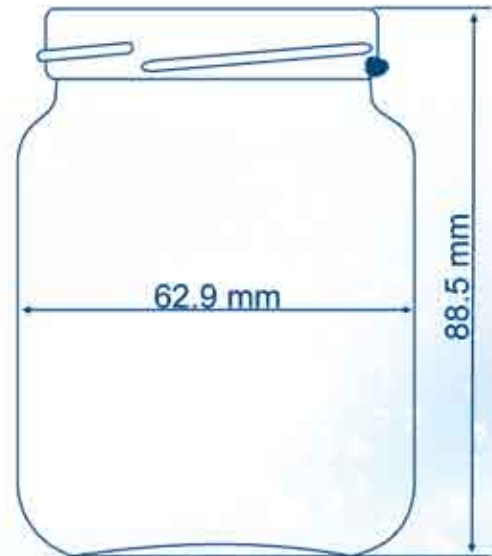
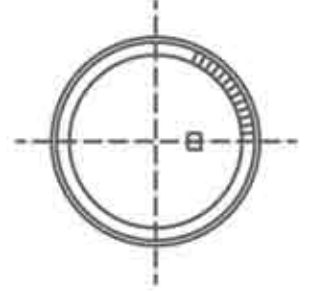
Article Name	190 ml Jar
Code No.	1154
Weight	100 gr
B.Capacity	190 ml
Finish Type	T.O 53 FD 136
Pieces Per Pallet	8208(342x24)
Pallet Dimensions	(100x120x235) cm

# Jar 199 ml



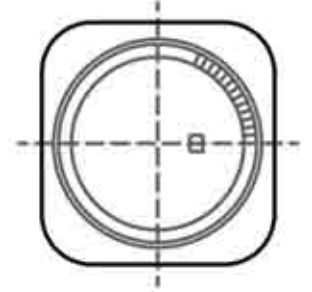
Article Name	199 ml Jar- Hero X Shape
Code No.	1155
Weight	148 gr
B.Capacity	199 ml
Finish Type	T.O 58 FD 136A
Pieces Per Pallet	6307 (371 x 17)
Pallet Dimensions	(100x120x208) cm

# Jar 200 ml



Article Name	200 ml Jar
Code No.	1200
Weight	125 gr
B.Capacity	200 ml
Finish Type	T.O 58 FD 136
Pieces Per Pallet	5328 (333 x 8 x 2)
Pallet Dimensions	(100x120x163) cm

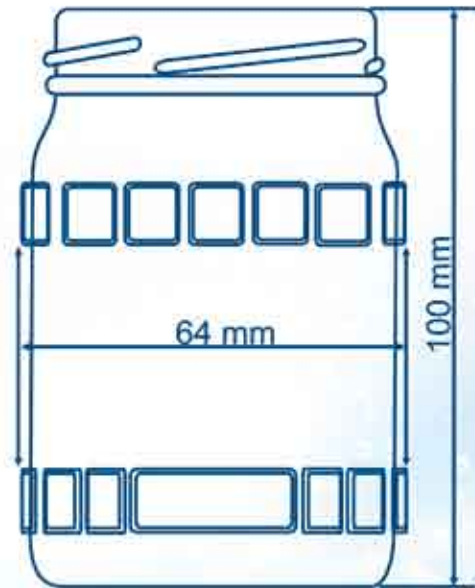
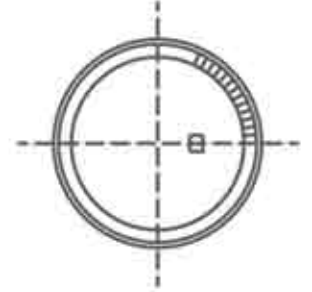
# Jar 210 ml



Article Name	210 ml Jar
Code No.	1201
Weight	145 gr
B.Capacity	210 ml
Finish Type	T.O 66 FD 138
Pieces Per Pallet	3472 (248 x 7 x 2)
Pallet Dimensions	(100x120x122) cm

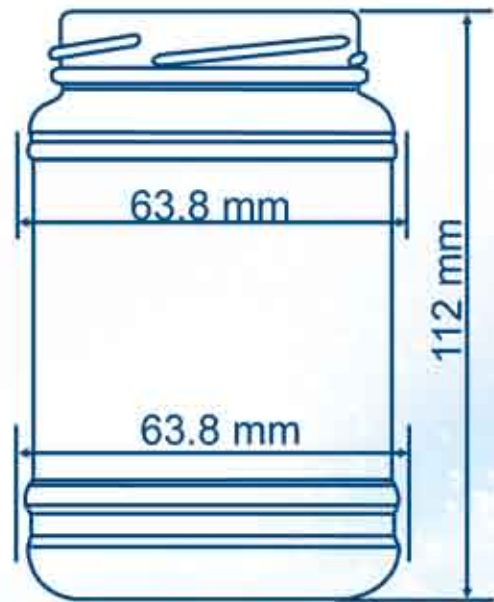
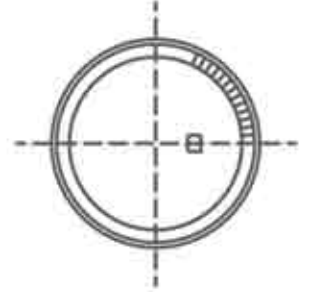


# Jar 250 ml



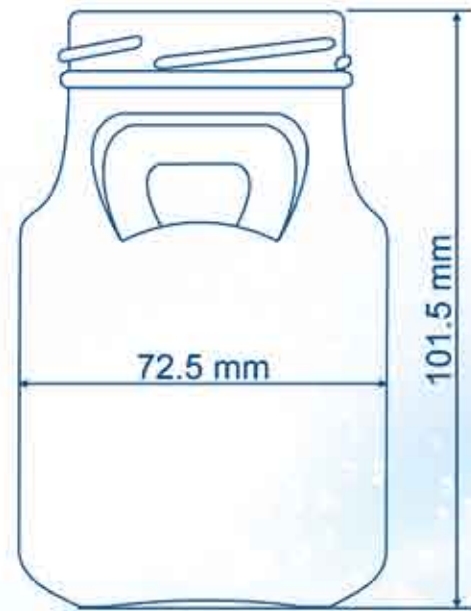
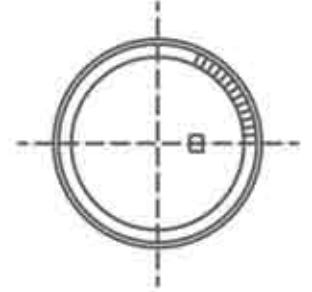
Article Name	250 ml JAR-Emtinan
Code No.	1260/1
Weight	160 gr
B. Capacity	225 ml
Finish Type	T.O 58 FD 136
Pieces Per Pallet	4896 (306 x 16)
Pallet Dimensions	(100x120x180) cm

# Jar 265 ml



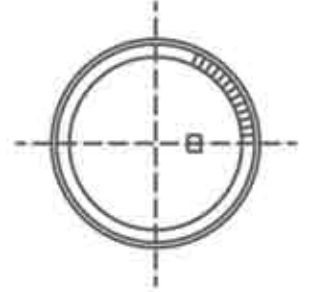
Article Name	265 ml Jar-Vitrac
Code No.	1263
Weight	145 gr
B.Capacity	265 ml
Finish Type	T.O 58 FD 136
Pieces Per Pallet	5508 ( 324 x 17 )
Pallet Dimensions	(100x120x213) cm

# Jar 275 ml



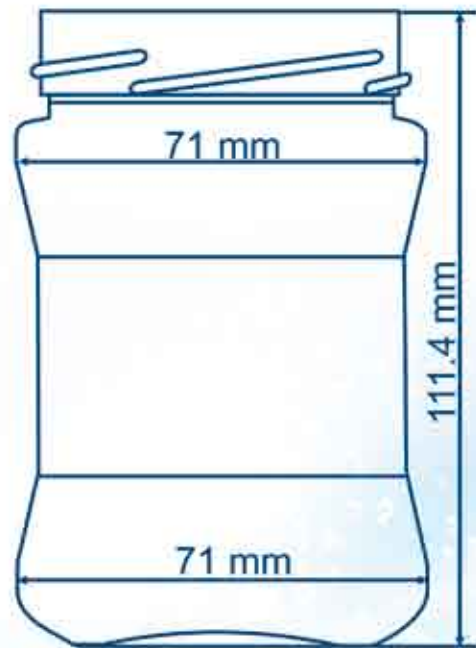
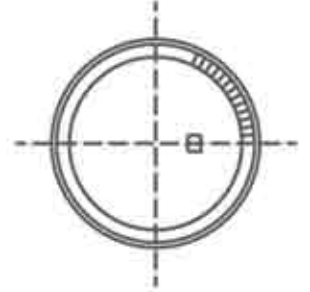
Article Name	275 ml Jar
Code No.	1255
Weight	200 gr
B.Capacity	275 ml
Finish Type	T.O 63 FD 138
Pieces Per Pallet	4800 ( 240 x 20 )
Pallet Dimensions	(100x120x227) cm

# Jar 290 ml



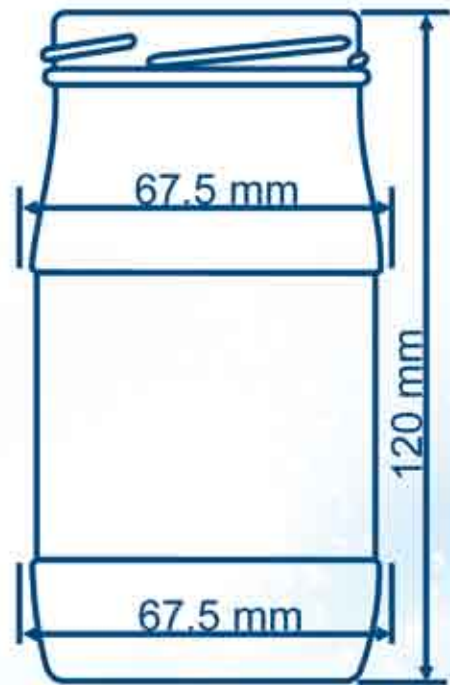
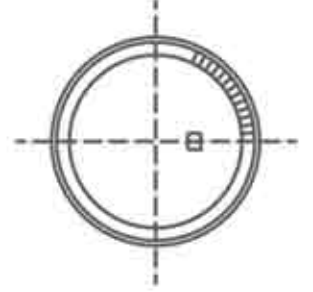
Article Name	290 ml Jar Delicia
Code No.	1262
Weight	188 gr
B.Capacity	290 ml
Finish Type	T.O 66 FD 138B
Pieces Per Pallet	3920 ( 196 x 20 )
Pallet Dimensions	(100x120x215) cm

# Jar 297 ml



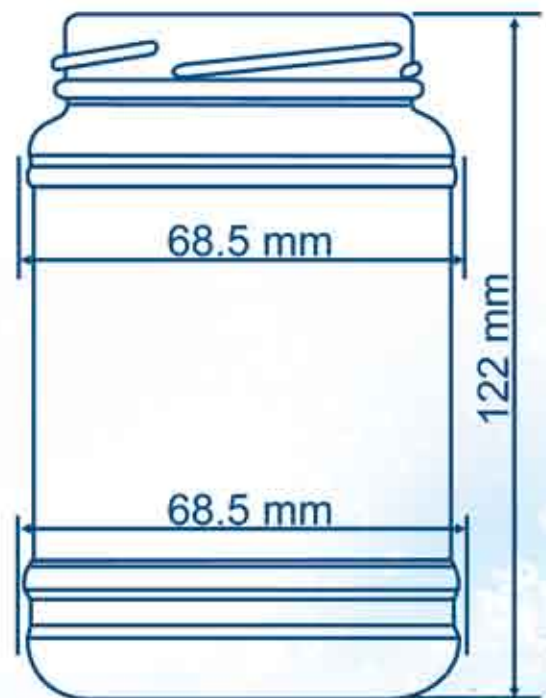
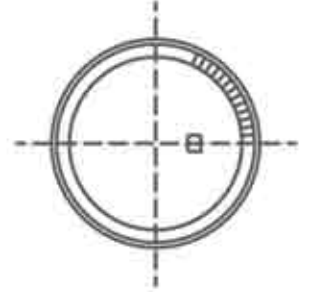
Article Name	297 ml Jar- Hero X Shape
Code No.	1261
Weight	170 gr
B.Capacity	297 ml
Finish Type	T.O 66 FD 138B
Pieces Per Pallet	4224 ( 264 x 16 )
Pallet Dimensions	(100x120x200) cm

# Jar 320 ml



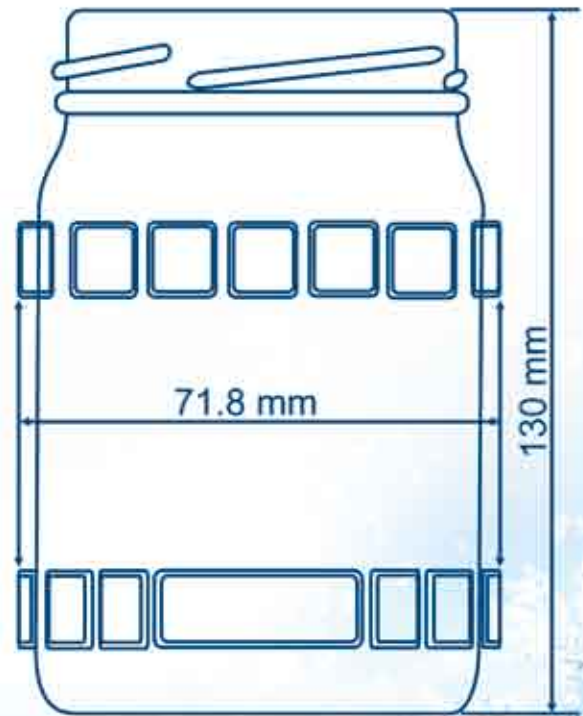
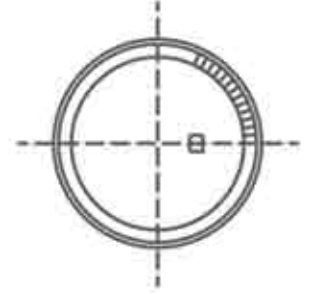
Article Name	320 ml Jar
Code No.	1303/2
Weight	150 gr
B.Capacity	320 ml
Finish Type	T.O 63 FD 138
Pieces Per Pallet	4046 ( 289 x 14 )
Pallet Dimensions	(100x120x189) cm

# Jar 350 ml



Article Name	350 ml Jar-Vitrac
Code No.	1366/1
Weight	150 gr
B.Capacity	350 ml
Finish Type	T.O 63 FD 138
Pieces Per Pallet	4080 ( 272 x 15 )
Pallet Dimensions	(100x120x204) cm

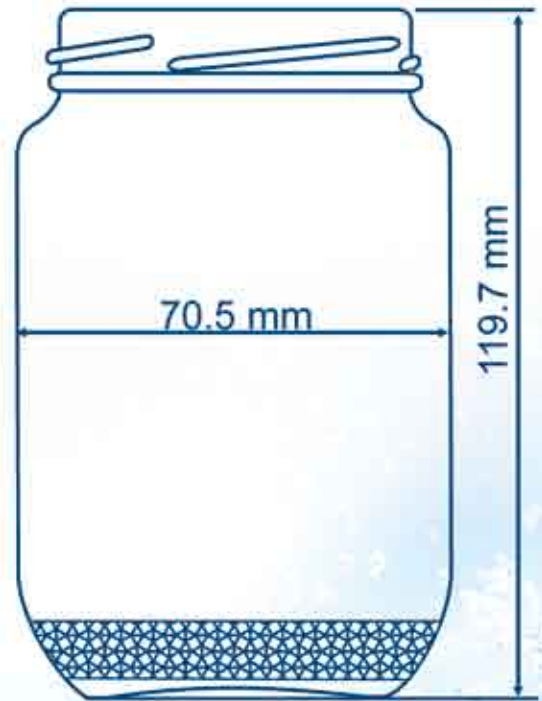
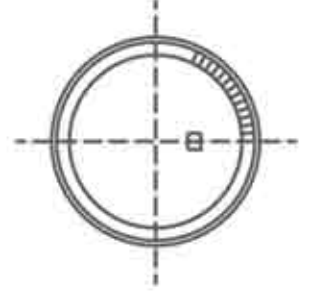
# Jar 360 ml



Article Name	360 ml Jar-Emtinan
Code No.	1365/1
Weight	248 gr
B.Capacity	360 ml
Finish Type	T.O 58 FD 136
Pieces Per Pallet	3600 (240 x 15)
Pallet Dimensions	(100x120x216) cm

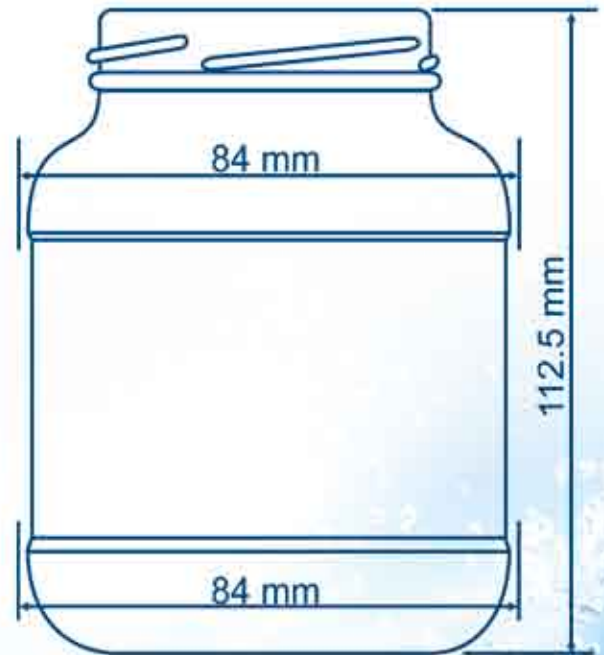
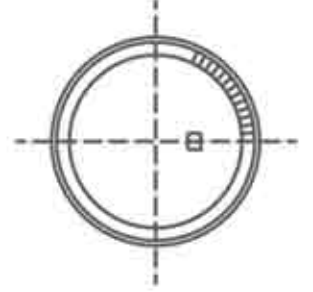


# Jar 370 ml



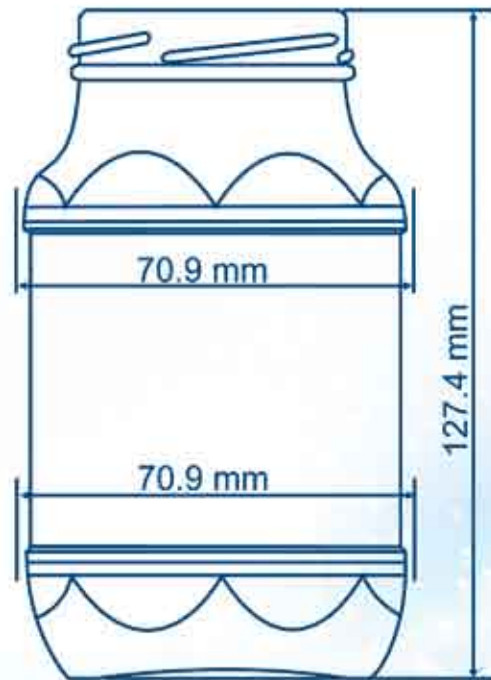
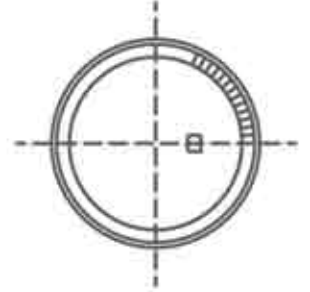
Article Name	370 ml Jar
Code No.	1350/1
Weight	150 gr
B.Capacity	370 ml
Finish Type	T.O 63 FD 138
Pieces Per Pallet	3960 (264 x 15)
Pallet Dimensions	(100x120x201) cm

# Jar 370 ml



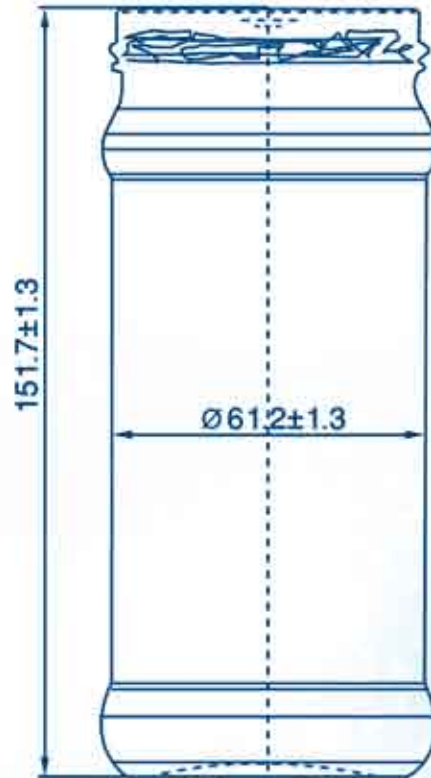
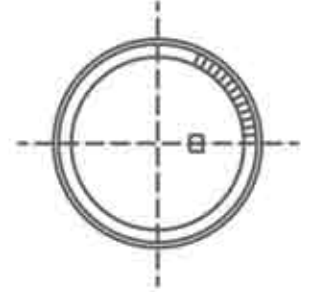
Article Name	370 ml Jar-Fine Foods
Code No.	1359/2
Weight	190 gr
B.Capacity	370 ml
Finish Type	T.O 63 FD 138
Pieces Per Pallet	3465 (231 x 15)
Pallet Dimensions	(100x120x190) cm

# Jar 370 ml



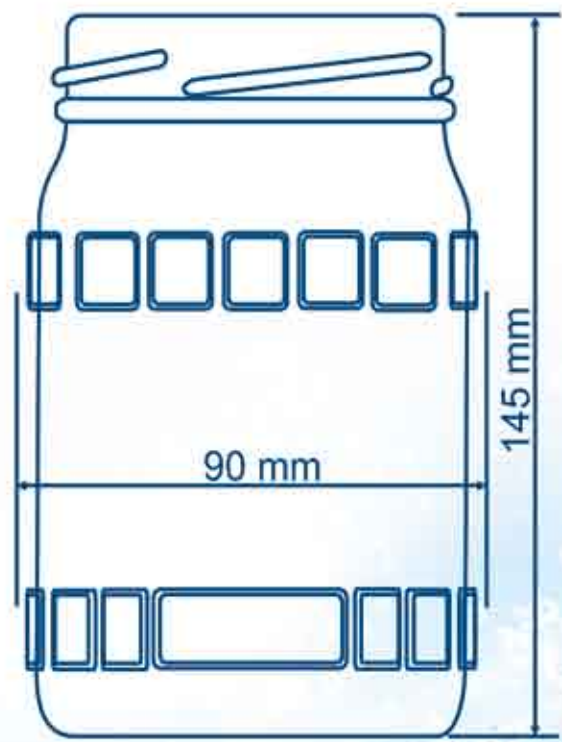
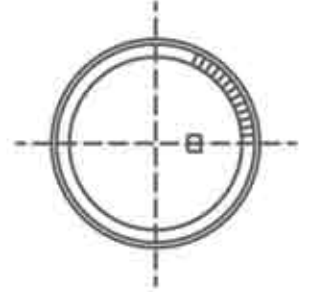
Article Name	370 ml Jar-Heinz
Code No.	1363/1
Weight	180 gr
B.Capacity	370 ml
Finish Type	T.O 63 FD 138
Pieces Per Pallet	3696 (264 x 14)
Pallet Dimensions	(100x120x199) cm

# Jar 370 ml



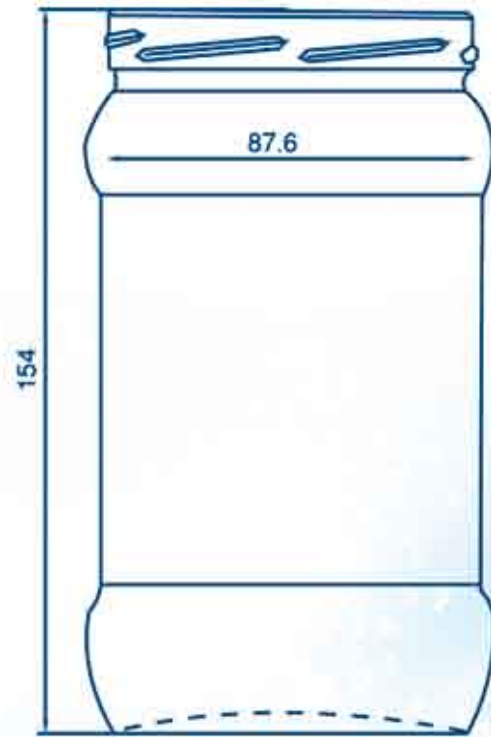
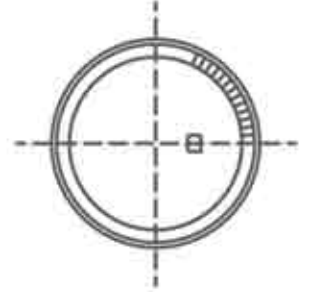
Article Name	370 ml Jar
Code No.	1367
Weight	190 gr
B.Capacity	370 ml
Finish Type	T.O 63 FD 138
Pieces Per Pallet	4590 (306 x 15)
Pallet Dimensions	(100×120×247) cm

# Jar 660 ml



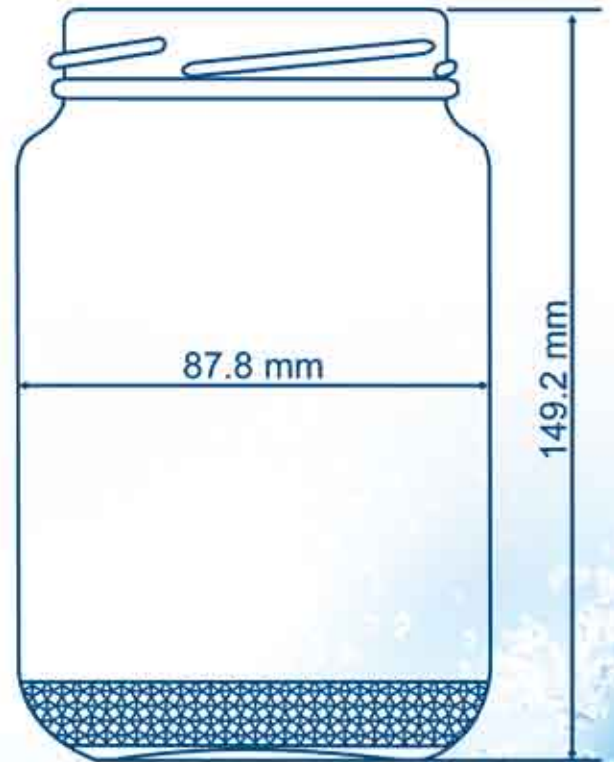
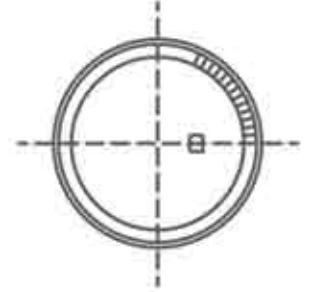
Article Name	660 ml Jar-Emtinan
Code No.	1650/1
Weight	350 gr
B.Capacity	660 ml
Finish Type	T.O 70 FD 138S
Pieces Per Pallet	1956 ( 163 x 12 )
Pallet Dimensions	(100x120x194) cm

# Jar 660 ml



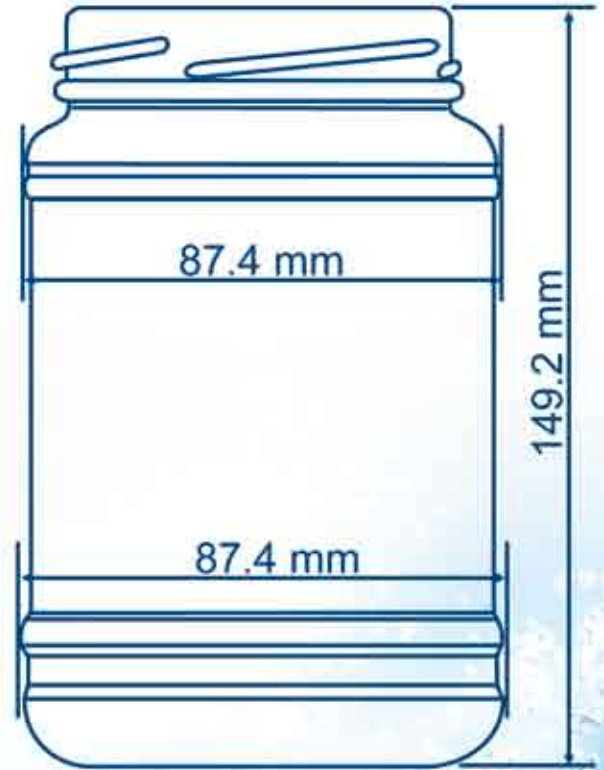
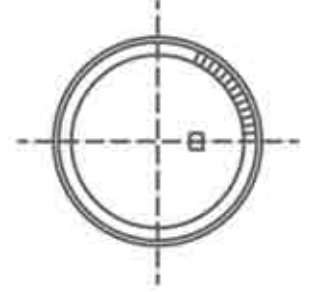
Article Name	660 ML
Code No.	1651
Weight	325 gr
B.Capacity	660 ml
Finish Type	T.O 82 FD 130
Pieces Per Pallet	2366 (169 × 14)
Pallet Dimensions	(100×120×232) cm

# Jar 720 ml



Article Name	720 ml Jar
Code No.	1700/1
Weight	325 gr
B.Capacity	720 ml
Finish Type	T.O 82 FD 130
Pieces Per Pallet	2028 (169 x 12)
Pallet Dimensions	(100x120x199) cm

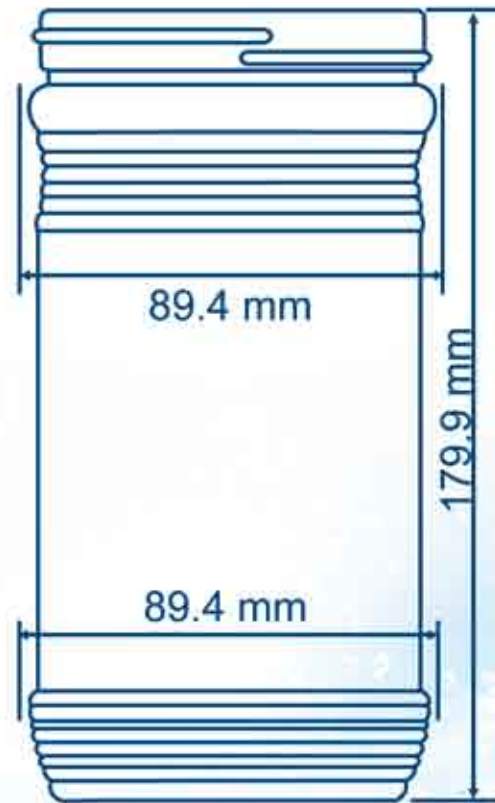
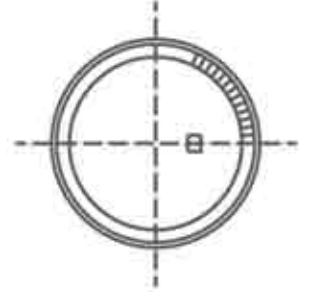
# Jar 720 ml



Article Name	720 ml Jar-Vitrac
Code No.	1701/1
Weight	310 gr
B.Capacity	720 ml
Finish Type	T.O 82 FD 130
Pieces Per Pallet	2028 (169 x 12)
Pallet Dimensions	(100x120x199) cm



# Jar 27 OZ

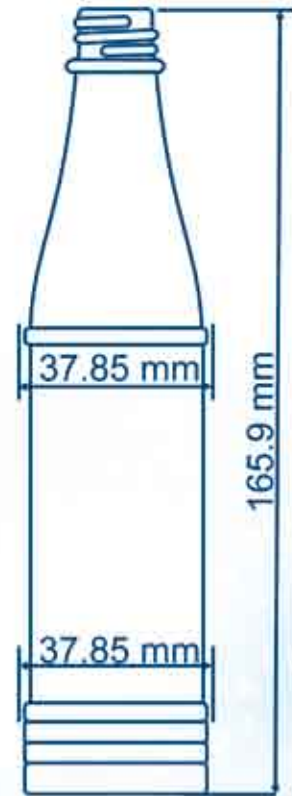
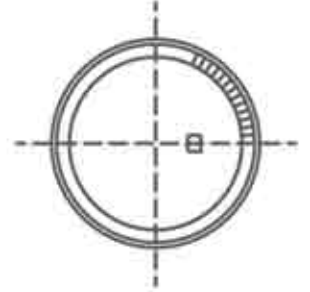


Article Name	27 OZ tang
Code No.	1851
Weight	420 gr
B.Capacity	860 ml
Finish Type	83 mm #455 T.T.T
Pieces Per Pallet	1690 (169 x 10)
Pallet Dimensions	(100x120x199) cm

# Ketchup

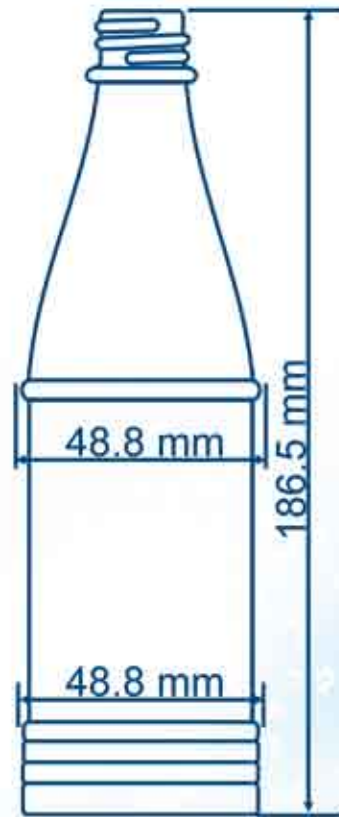
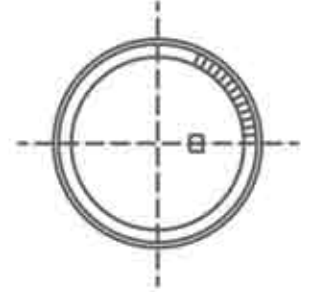


# Ketchup 3 OZ



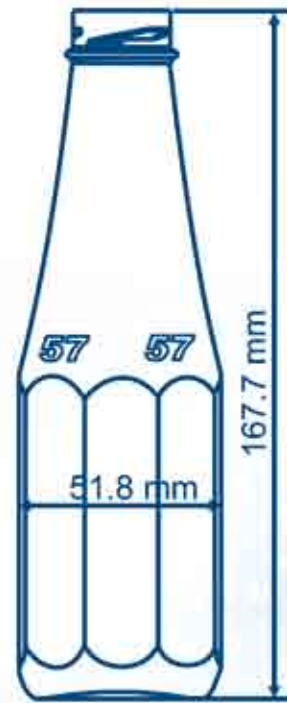
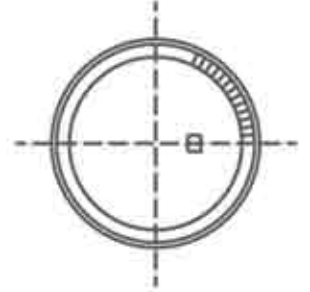
Article Name	3 Oz NRB-Hot Sauce
Code No.	100/1
Weight	110 gm
B.Capacity	89 ml
Finish Type	GF 326 SIZE 18
Pieces Per Pallet	11700 ( 12 x 975 )
Pallet Dimensions	(100x120x219)cm

# Ketchup 6 OZ



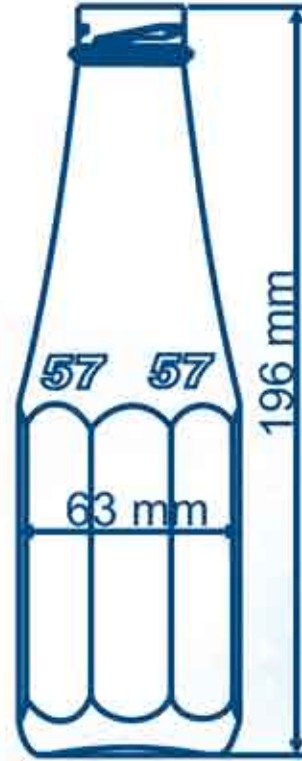
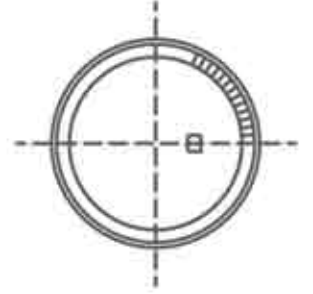
Article Name	6 Oz NRB-Hot Sauce
Code No.	159
Weight	170 gm
B.Capacity	177 ml
Finish Type	GF 326 SIZE 18
Pieces Per Pallet	4416 ( 8 x 552 )
Pallet Dimensions	(100x120x168)cm

# Ketchup 200 gr



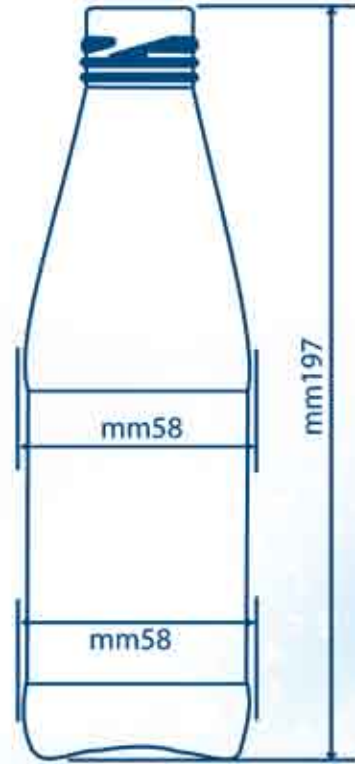
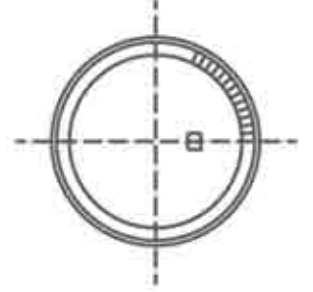
Article Name	200 gr Ketchup Heinz
Code No.	201
Weight	135 gr
B.Capacity	187 ml
Finish Type	T.O 30 FD 169
Pieces Per Pallet	5170 ( 517 x 10 )
Pallet Dimensions	(100x120x186)cm

# Ketchup 340/1 gr



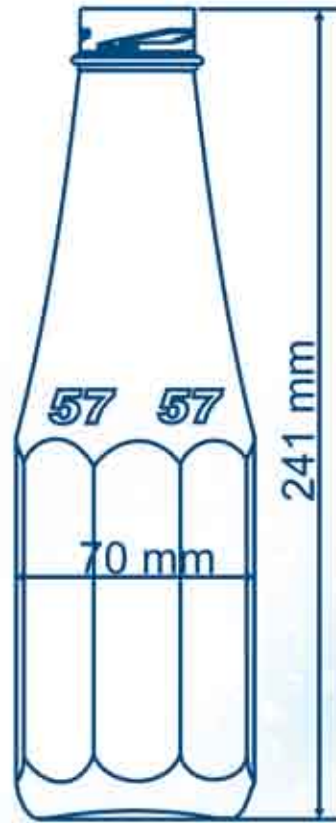
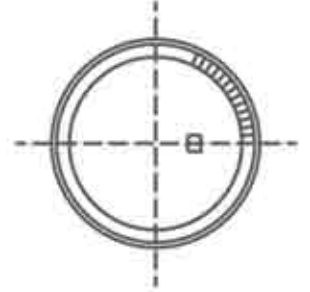
Article Name	340/1 gr Ketchup Heinz bottle
Code No.	307
Weight	187 gr
B.Capacity	314ml
Finish Type	T.O 30 FD 169
Pieces Per Pallet	2736 ( 342 x 8 )
Pallet Dimensions	(100x120x175)cm

# Ketchup 340/2 gr



Article Name	340/2 gr Ketchup HEINZ
Code No.	318
Weight	187 gr
B.Capacity	317 ml
Finish Type	T.O 30 FD 169
Pieces Per Pallet	3040 ( 380 x 8 )
Pallet Dimensions	(100x120x175)cm

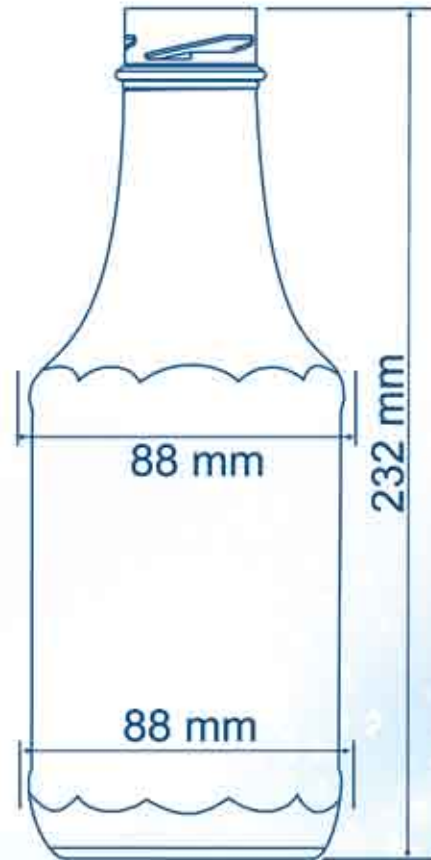
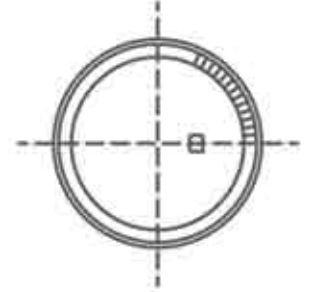
# Ketchup 513 gr



Article Name	513 gr Ketchup Heinz bottle
Code No.	502
Weight	324 gr
B.Capacity	473ml
Finish Type	T.O 30 FD 169
Pieces Per Pallet	2023 (289 x7)
Pallet Dimensions	(100x120x189)cm



# Ketchup 850 gr



Article Name	850 gr Ketchup Heinz bottle
Code No.	850
Weight	455 gr
B.Capacity	778 ml
Finish Type	T.o 38 FD 145E
Pieces Per Pallet	1183 ( 169 x 7 )
Pallet,s Dimensions	(100x120x180)cm



# **THE NATIONAL COMPANY FOR GLASS AND CRYSTAL**

The Pride of the Egyptian glass industry

## **PREAMBLE**

Ancient Egyptians are pioneers in every field they have penetrated.

They were the first to manufacture items made of glass like jewels, vessels and vases.

The manufacture process of vases started by coating a formed sand core with several layers of molten glass to guarantee the required thickness. Decoration was applied by pressing thread of molten glass into the reheated vases.

We the NATIONAL COMPANY FOR GLASS AND CRYSTAL

in 1984 followed our ANCESTORS, STEPS and ESTABLISHED A COMPLEX in the new industrial area at the 10 th of Ramadan city, Egypt.

The plant is of modern design, fully equipped with the latest machinery and equipment by well established international manufacturers.

The batch plant is fully automated. Being capable of producing two different batch compositions according to requirements.

The automatic shrink sleeving line is installed for applications of PVC sleeves to certain soft drink bottles, or plastishield labels.

The packing of all containers is done automatically by palletizes. The daily production is approximately 1000 000 glass containers of various types of returnable and non returnable Bottles & jars typically for soft drinks, Bear, fruit juices, butalso and jams.

The philosophy of NATIONAL GLASS is not only to be a container glass producer, but also produce the very best quality at the lowest possible cost to create, develop and offer packing systems according to the markets, needs and to offer alternatives to customers by making glass competitive with other packing materials

Today NATIONAL GLASS is leader on the Egyptian market in these field of the glass industry, with a market share of over 50%.Export also plays a vital role in the company's strategy and the records of our successful deliveries proves the high standard of our production.

We would like to extend our thanks to many national & international clients who have shown their faith in use by continual dealing with us, and also our prospective clients which we are always ready to fulfill their requirements.

**THE NATIONAL CO. FOR GLASS AND CRYSTAL**